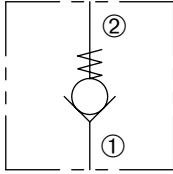


# DCV-080-B

Direct-Acting, Ball-Type  
Check Valve

## SERIES 8

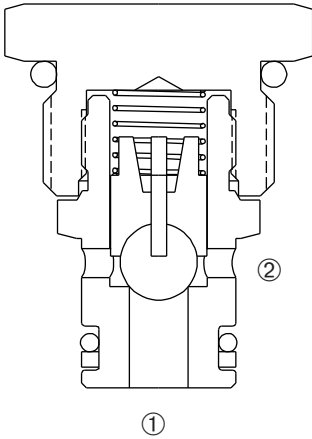


### DESCRIPTION

A cartridge valve designed to allow free flow in one direction, while preventing flow in the opposite direction. This valve is commonly used as a load-holding or blocking valve.

### OPERATION

Pressure at ① overcomes the spring-bias ball and allows free flow to ②. Flow in the opposite direction, from ② to ①, is blocked by the ball.



### FEATURES and BENEFITS

- Guide ball assembly.
- Chrome alloy ball for long life.
- Low leak.
- Industry common cavity.
- Compact size.

### SPECIFICATIONS

**Operating Pressure:** 3000 PSI (207 Bar)

**Flow:** See PRESSURE DROP VS. FLOW graph.

**Internal Leakage:** 2 drops/min. max. at 3000 PSI (207 Bar)

**Crack Pressure:**  
2 PSI ( 0.1 Bar)  
5 PSI ( 0.3 Bar)  
10 PSI ( 1.0 Bar)  
25 PSI ( 1.7 Bar)

**Temperature:** -30°F to +220°F (-35°C to +104°C)

**Recommended Filtration:** Critical Application – ISO 17/15/13

Non-Critical Application – ISO 20/18/14

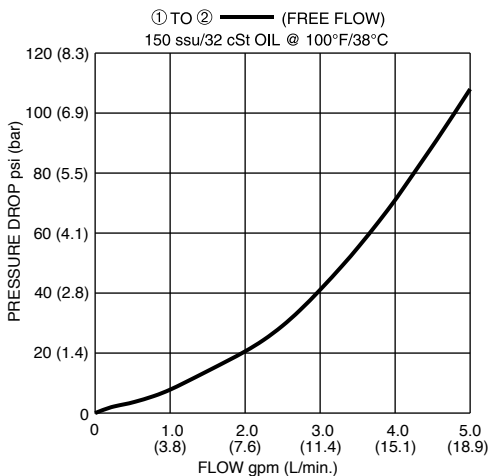
**Fluids:** Mineral-based fluids.

For other fluid compatibility, consult factory.

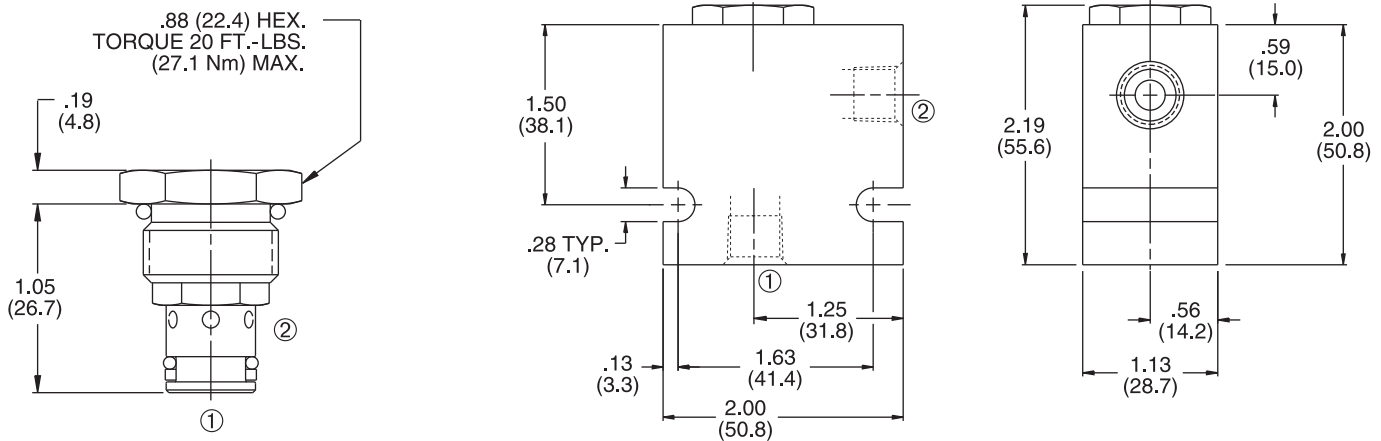
**Cavity/Cavity Tool:** 080-2. see page 11.08.2

**In-Line Body Material:** Anodized 6061T6 aluminum alloy rated at 3000 PSI (207 Bar).

### PRESSURE DROP VS. FLOW



## INSTALLATION DIMENSIONS



( ) Parentheses = Millimeters

## HOW TO ORDER

