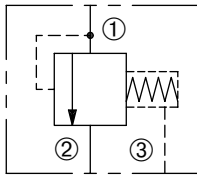


DDPS-160

Differential Pressure Sensing Valve

SERIES 16



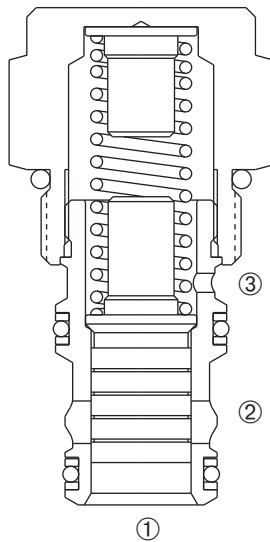
DESCRIPTION

A fixed spool cartridge valve designed to direct oil to a circuit when a predetermined pressure differential has been reached.

OPERATION

The DDPS-160 in the steady state blocks flow from ① to ②.

When the predetermined pressure differential between ① and ③ is achieved, the spool shifts to allow flow from ① to ②.



FEATURES and BENEFITS

- High flow capabilities.
- Hardened precision spool and sleeve for long life.
- Pressure differential setting options.
- Industry common cavity.
- Compact size.

SPECIFICATIONS

Operating Pressure: 3000 PSI (207 Bar)

Flow: See PRESSURE DROP VS. FLOW graph.

Internal Leakage: 5 in.³/min. (82 cc/min.) max. at 3000 PSI (207 Bar)

Differential Pressure Setting: 5 PSI (0.3 Bar)

20 PSI (1.4 Bar)

40 PSI (2.8 Bar)

80 PSI (5.5 Bar)

160 PSI (11.0 Bar)

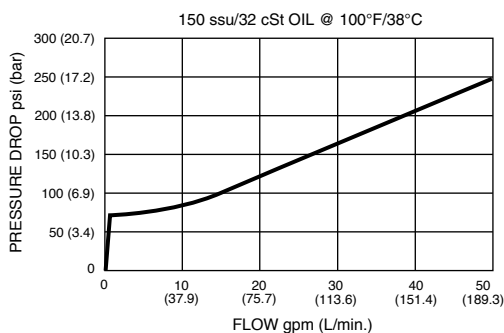
Temperature: -30°F to +250°F (-35°C to +120°C)

Recommended Filtration: ISO 20/18/14

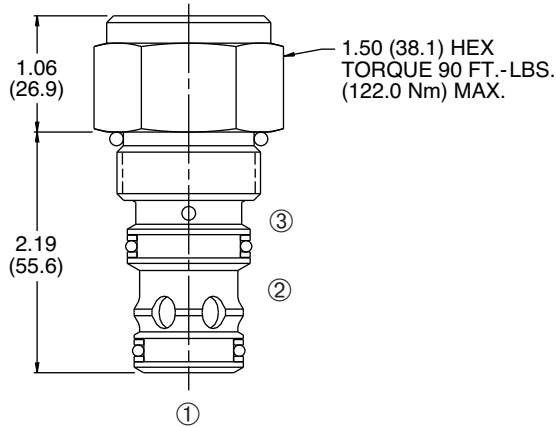
Fluids: Mineral-based fluids. For other fluid compatibility, consult factory.

Cavity/Cavity Tool: 160-3S, see page 11.16.3S

PRESSURE DROP VS. FLOW



INSTALLATION DIMENSIONS



() Parentheses = Millimeters

HOW TO ORDER

