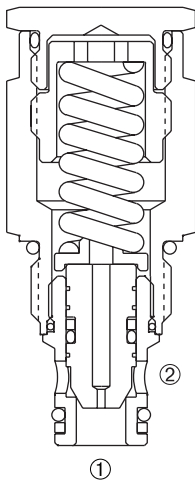
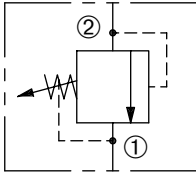


DDRV-080-*-H

Tamper-Resistant, Direct-Acting,
Differential Area Relief Valve

SERIES 8



DESCRIPTION

An adjustable, direct-acting poppet cartridge valve designed to limit pressure in hydraulic circuits.

OPERATION

The DDRV-080-*-H prevents flow from ② to ① until the set crack pressure at ② is achieved. The poppet then unseats allowing flow from ② to ① protecting the circuit from over pressurization.

FEATURES and BENEFITS

- Quiet operation.
- Rapid response to pressure surges.
- Low pressure rise.
- Hardened poppet and seat for long life.
- Hidden adjustment (tamper resistant).
- Industry common cavity.
- Compact size.

SPECIFICATIONS

Operating Pressure: 3000 PSI (207 Bar)

Flow: See PRESSURE DROP VS. FLOW graph.
Nominal Flow 10 GPM (37.9 L/min).

Internal Leakage: 10 drops/min. max. at reseal.

Crack Pressure Defined: Determined at .25 gpm (0.9 L/min.)

Reseat Pressure: Nominal 80% of crack pressure.

Spring Range: 50 to 3000 PSI (3 to 207 Bar)
Preset: 1500 PSI (103 Bar)

Temperature: -30°F to +250°F (-35°C to +120°C).

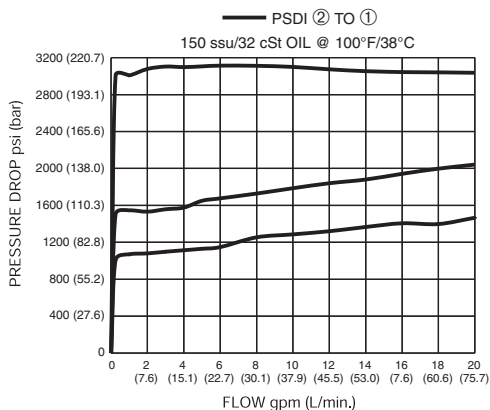
Recommended Filtration: ISO 20/18/14

Fluids: Mineral-based fluids. For other fluid compatibility, consult factory.

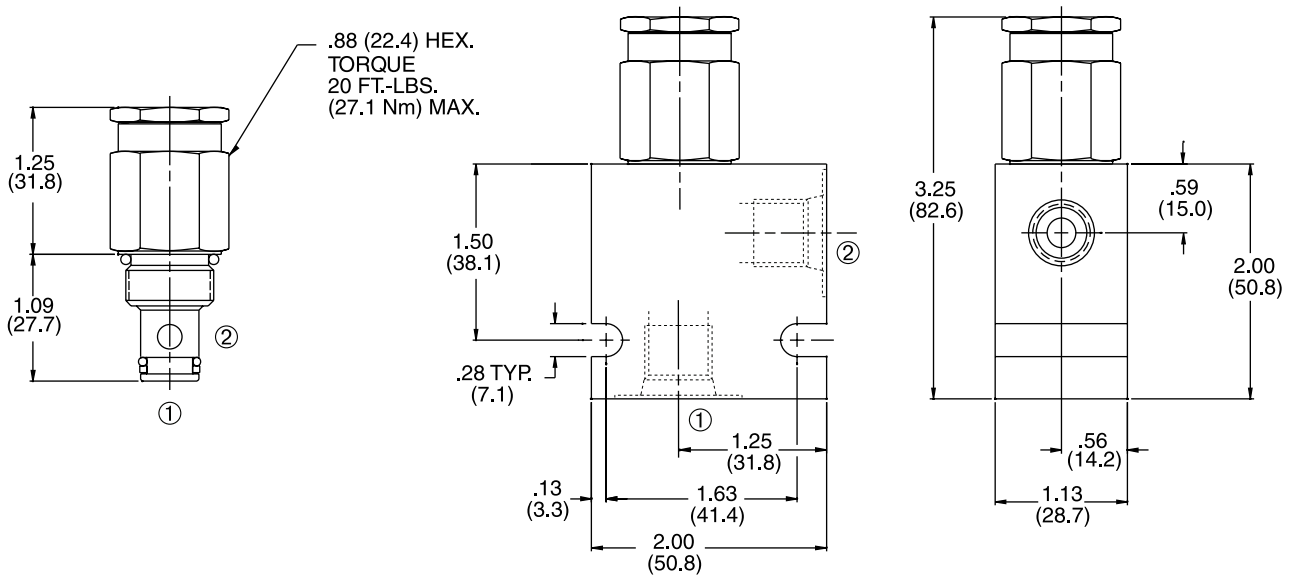
Cavity/Cavity Tool: 080-2, see page 11.08.2

In-Line Body Material: Anodized 6061T6 aluminum alloy rated at 3000 PSI (207 Bar).

PRESSURE DROP VS. FLOW

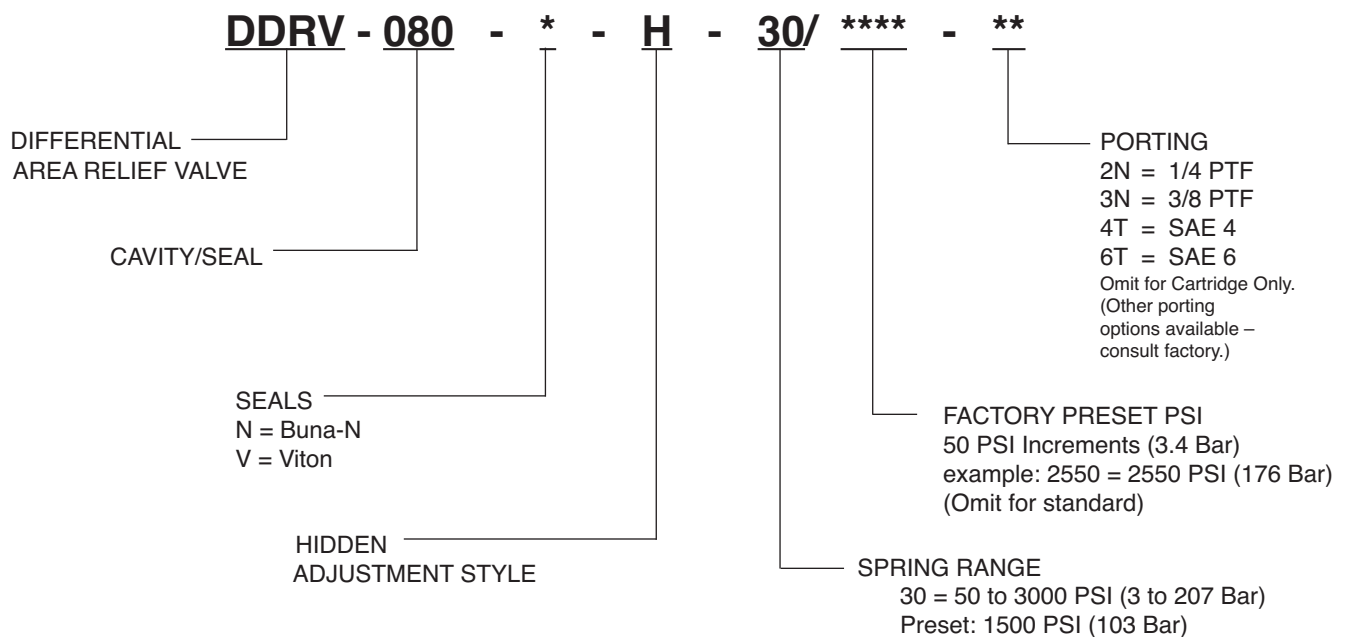


INSTALLATION DIMENSIONS



() Parentheses = Millimeters

HOW TO ORDER



SOLENOID
CHECK
MOTION CONTROL
FLOW CONTROL
RELIEF
PRESSURE CONTROL
SEQUENCE
SHUTTLE
DIRECTIONAL VALVES
ACCESSORIES
TECHNICAL DATA