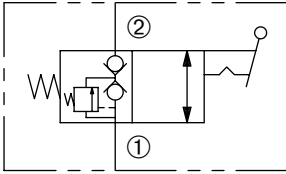


DTV-080

Normally Closed, Detent,
Toggle-Operated Valve

SERIES 8



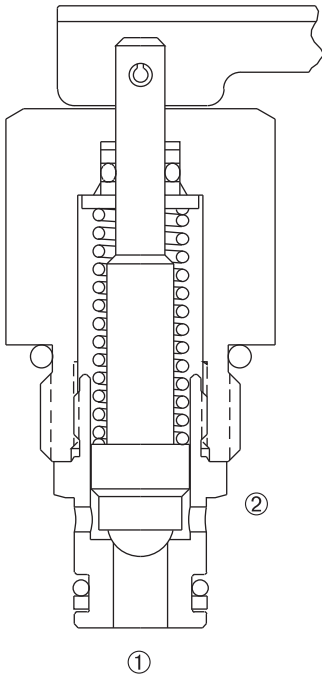
DESCRIPTION

A toggle-operated cartridge valve designed with positive shut off to be used in load holding applications.

OPERATION

The DTV-080 blocks flow from ② to ①, or ① to ②. When the toggle handle is actuated, fluid flows from ② to ①, or ① to ②. The cartridge allows reverse flow from ① to ② after overcoming the spring force of 450 PSI (31 Bar).

The DTV-080 can be actuated by pushing or pulling the toggle handle and will over-center detent open.



FEATURES and BENEFITS

- Chrome alloy ball for long life.
- Push or pull actuator.
- Over-center detents open.
- Industry common cavity.
- Compact size.

SPECIFICATIONS

Operating Pressure: 3000 PSI (207 Bar)

Flow: See PRESSURE DROP VS. FLOW graph.

Internal Leakage: 5 drops/min. max. at 3000 PSI (207 Bar)

Temperature: -30°F to +250°F (-35°C to +120°C)

Recommended Filtration: Critical Application – ISO 17/15/13

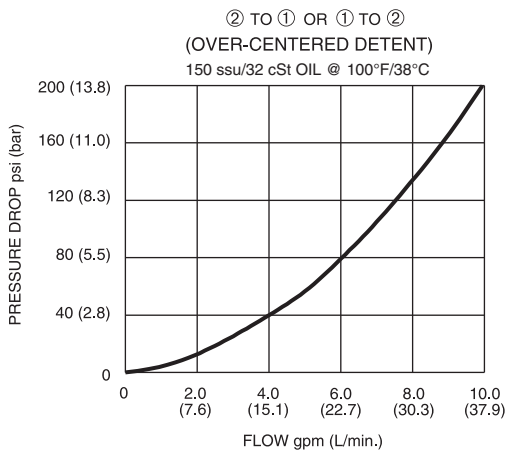
Non-Critical Application – ISO 20/18/14

Fluids: Mineral-based fluids. For other fluid compatibility, consult factory.

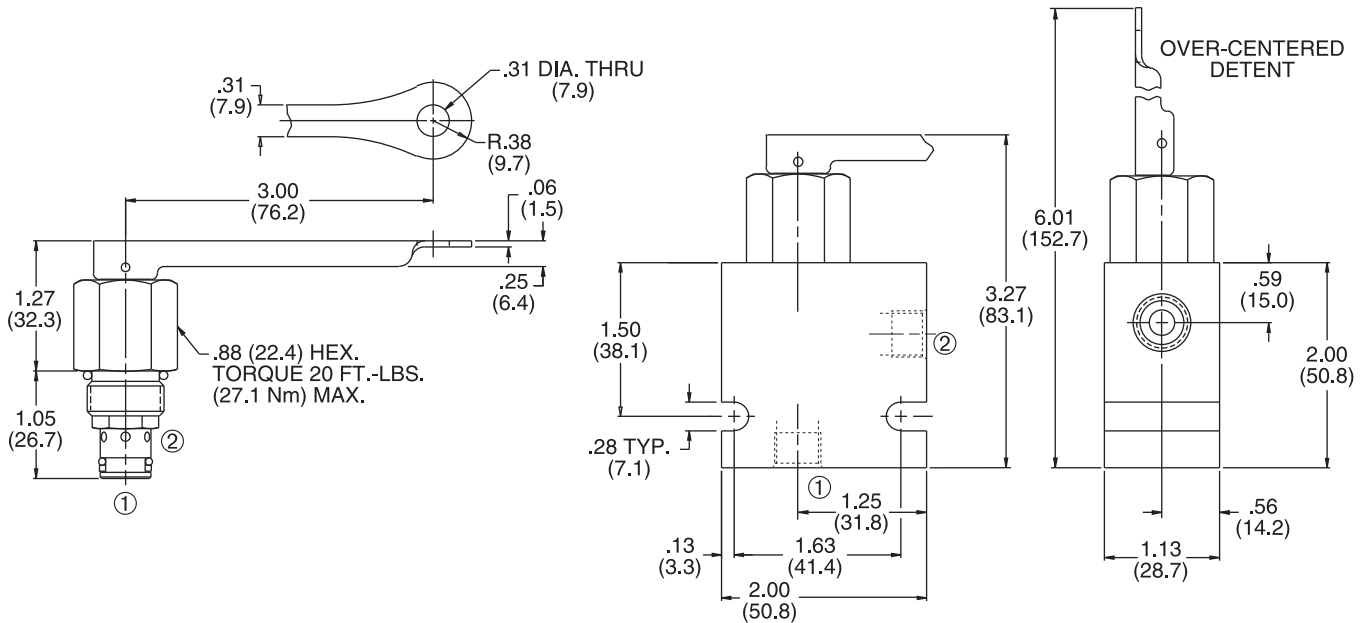
Cavity/Cavity Tool: 080-2, see page 11.08.2

In-Line Body Material: Anodized 6061T6 aluminum alloy rated at 3000 PSI (207 Bar).

PRESSURE DROP VS. FLOW



INSTALLATION DIMENSIONS



() Parentheses = Millimeters

HOW TO ORDER

