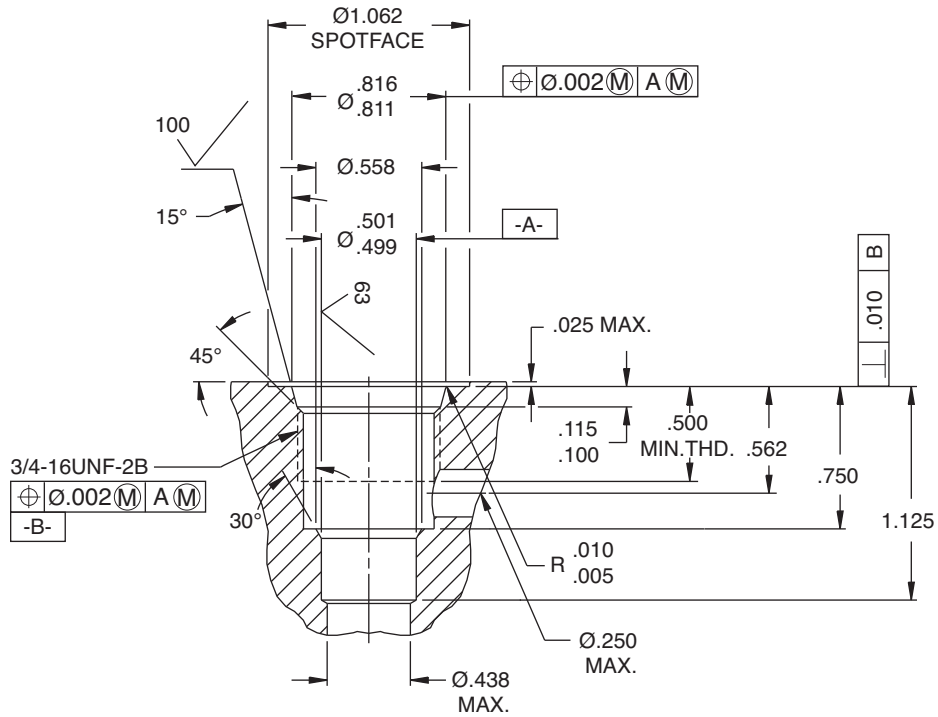


080-2 Cavity

SERIES 8



080-2 Cavity

Rough Drill P/N – 10131-76
 Finish Form Tool P/N – 10131-77

UNLESS OTHERWISE SPECIFIED

Specifications subject to change,
 consult factory.

All dimensions in inches.

2 PLACE DIM $\pm .01$

3 PLACE DIM $\pm .005$

ANGLE $\pm .5^\circ$