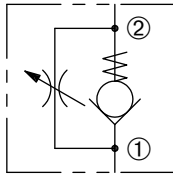


# DFC-100

Adjustable, Flow Control Valve

## SERIES 10

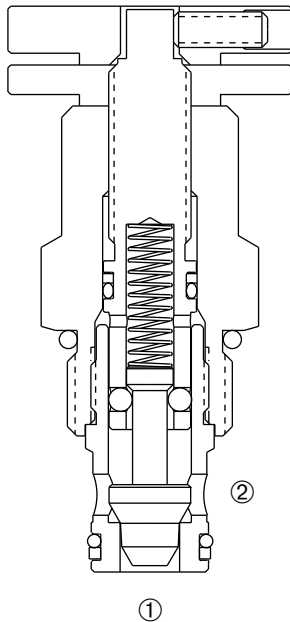


### DESCRIPTION

A cartridge valve designed to provide variable flow restriction in one direction with free flow in the opposite direction.

### OPERATION

The DFC-100 varies flow restriction by adjusting needle in or out. Flow is metered from ② to ①. Free reverse flow is from ① to ②.



### FEATURES and BENEFITS

- Hardened poppet and seat for long life.
- Aluminum knob and disc nut.
- Full range of adjustments.
- Adjustment may be locked in place.
- Industry common cavity.
- Compact size.

### SPECIFICATIONS

**Operating Pressure:** 3000 PSI (207 Bar)

**Flow:** 20 gpm (75.7 L/min.) Max. recommended input.

**Temperature:** -30° F to +250° F (-35°C to +120° C)

**Recommended Filtration:** ISO 20/18/14

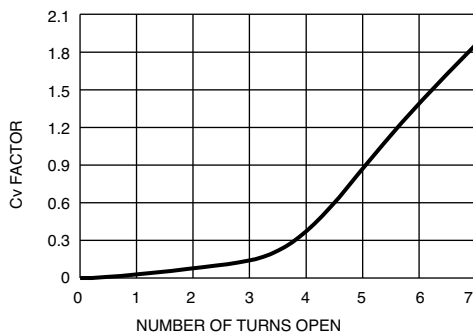
**Fluids:** Mineral-based fluids.

For other fluid compatibility consult factory.

**Cavity/Cavity Tool:** 100-2, see page 11.10.2

**In-Line Body Material:** Anodized 6061T6 aluminum alloy rated at 3000 PSI (207 Bar).

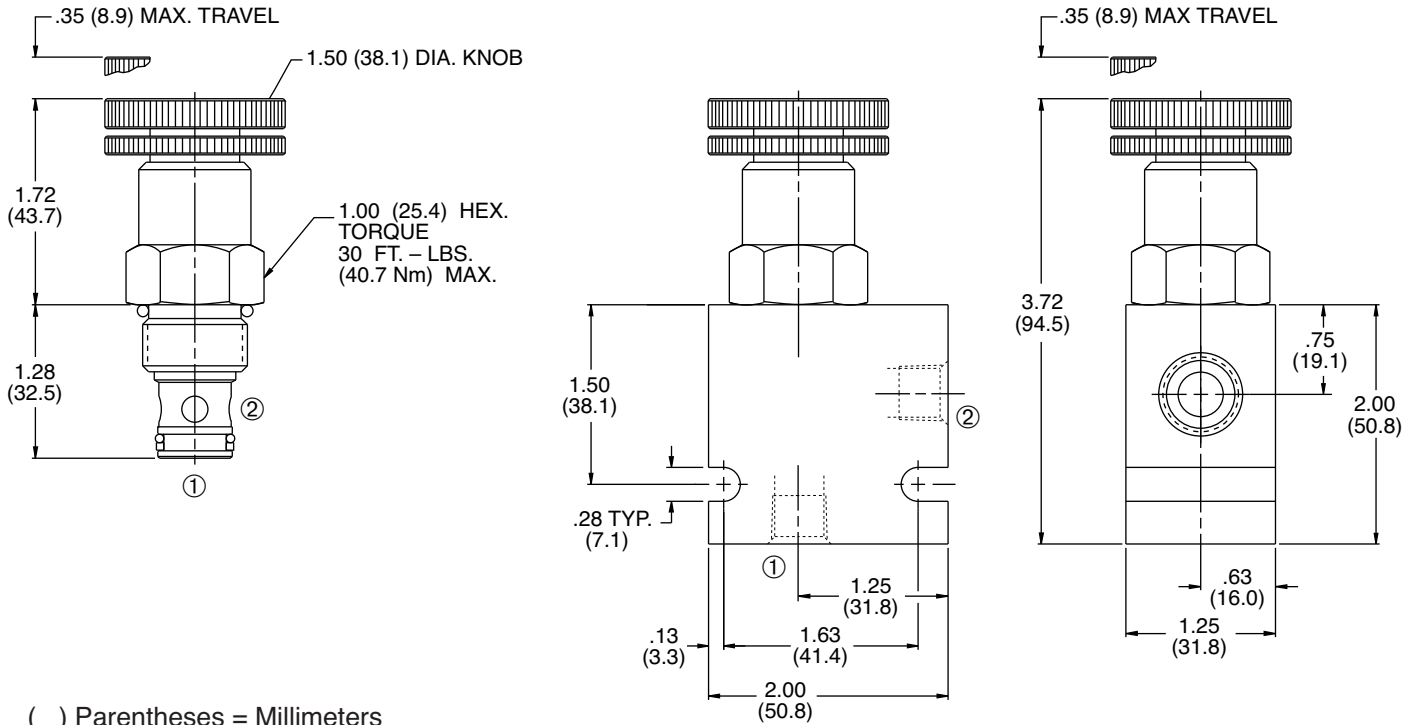
### CV FACTOR VS. TURNS



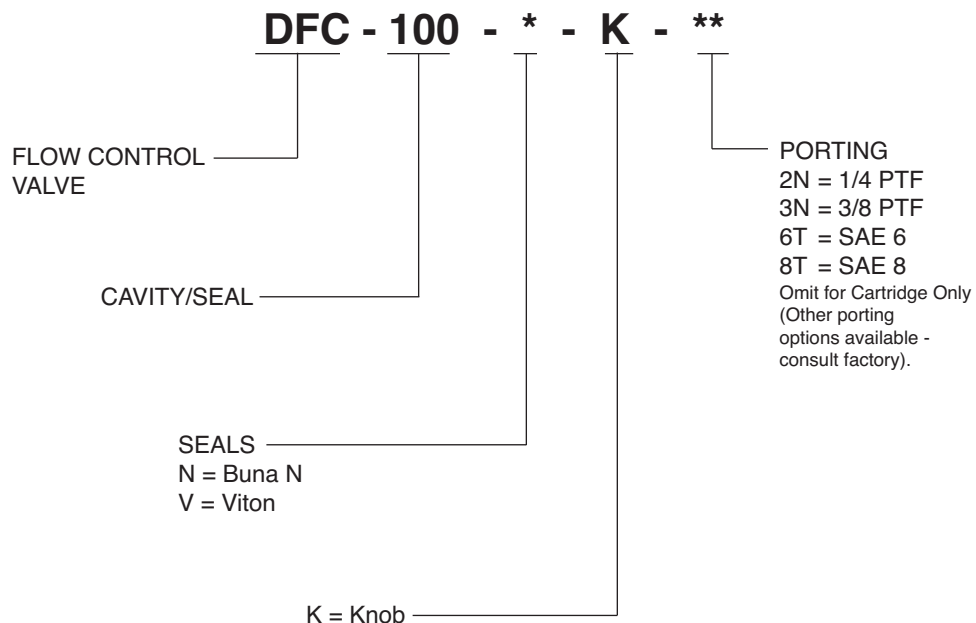
$$\text{FLOW IN GPM} = C_v \sqrt{\frac{P_1 - P_2}{G_f}}$$

$C_v$  = Flow Coefficient  
 $P_1$  = Inlet Pressure (psi)  
 $P_2$  = Outlet Pressure (psi)  
 $G_f$  = specific gravity of medium at operating temperature in °F.

**INSTALLATION DIMENSIONS**



**HOW TO ORDER**



SOLENOID  
CHECK  
MOTION CONTROL  
FLOW CONTROL  
RELIEF  
PRESSURE CONTROL  
SEQUENCE  
SHUTTLE  
DIRECTIONAL VALVES  
ACCESSORIES  
TECHNICAL DATA