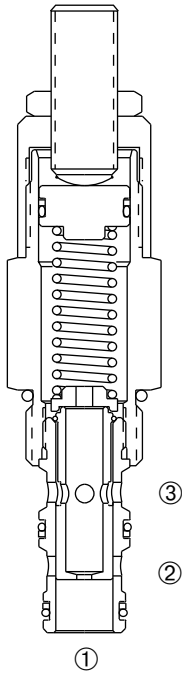
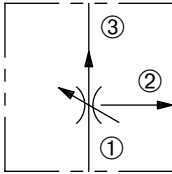


DFRA-100-3

Adjustable, Bypass-Type, Pressure-Compensated Flow Regulator Valve



SERIES 10



DESCRIPTION

An adjustable bypass-type cartridge valve designed to regulate priority flow while bypassing excess flow regardless of load pressure.

OPERATION

The DFRA-100-3 maintains a constant flow within specified accuracies from ① to ③ regardless of downstream load pressure at ③ or bypass leg ②. When flow produces a minimum predetermined pressure differential across the compensator spool control orifice, the spool shifts against the spring force to throttle the flow and maintain the priority flow setting. The cartridge's flow may be adjusted -40% of maximum setting. Reverse flow is not regulated.

FEATURES and BENEFITS

- Pressure-compensated.
- Quiet response.
- Bypass port ② may be fully pressurized.
- Hidden adjustment (tamper resistant) option.
- Aluminum knob and disc nut option.
- Adjustment may be locked in place.
- Industry common cavity.
- Compact size.

SPECIFICATIONS

Operating Pressure: 3000 PSI (207 Bar).

Flow: Ranges from 1 to 10 gpm (3.8 to 37.9 L/min.)

10 gpm (37.9 L/min.) max. input.

(See ordering table)

Flow may be adjusted - 40% of maximum setting.

Flow Tolerances: Flows up to and including

1.5 gpm (5.7 L/min.) $\pm 15\%$

Flows over 1.5 gpm (5.7 L/min.) $\pm 10\%$

Temperature: -30° F to +250° F (-35°C to +120° C)

Recommended Filtration: ISO 17/15/13

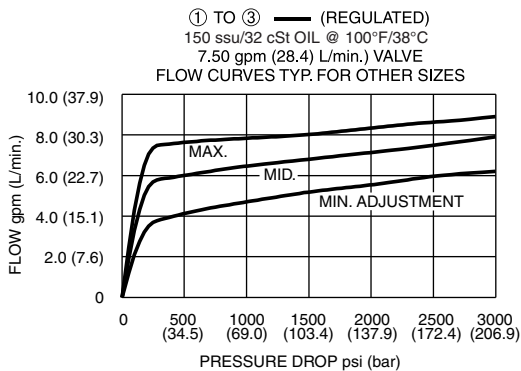
Fluids: Mineral-based fluids.

For other fluid compatibility consult factory.

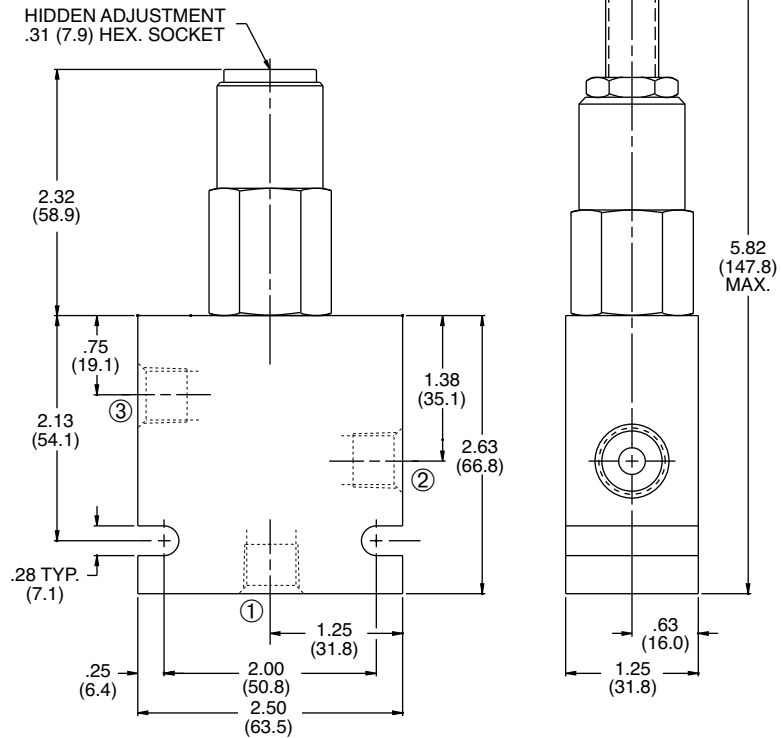
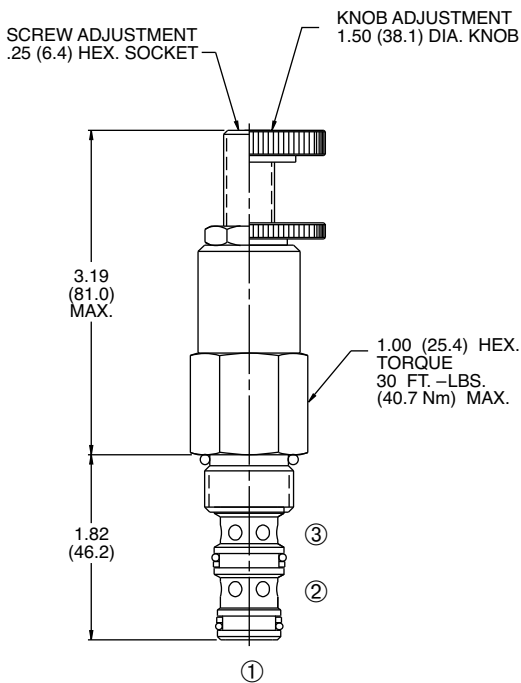
Cavity/Cavity Tool: 100-3. see page 11.10.3

In-Line Body Material: Anodized 6061T6 aluminum alloy rated at 3000 PSI (207 Bar).

PRESSURE DROP VS. FLOW

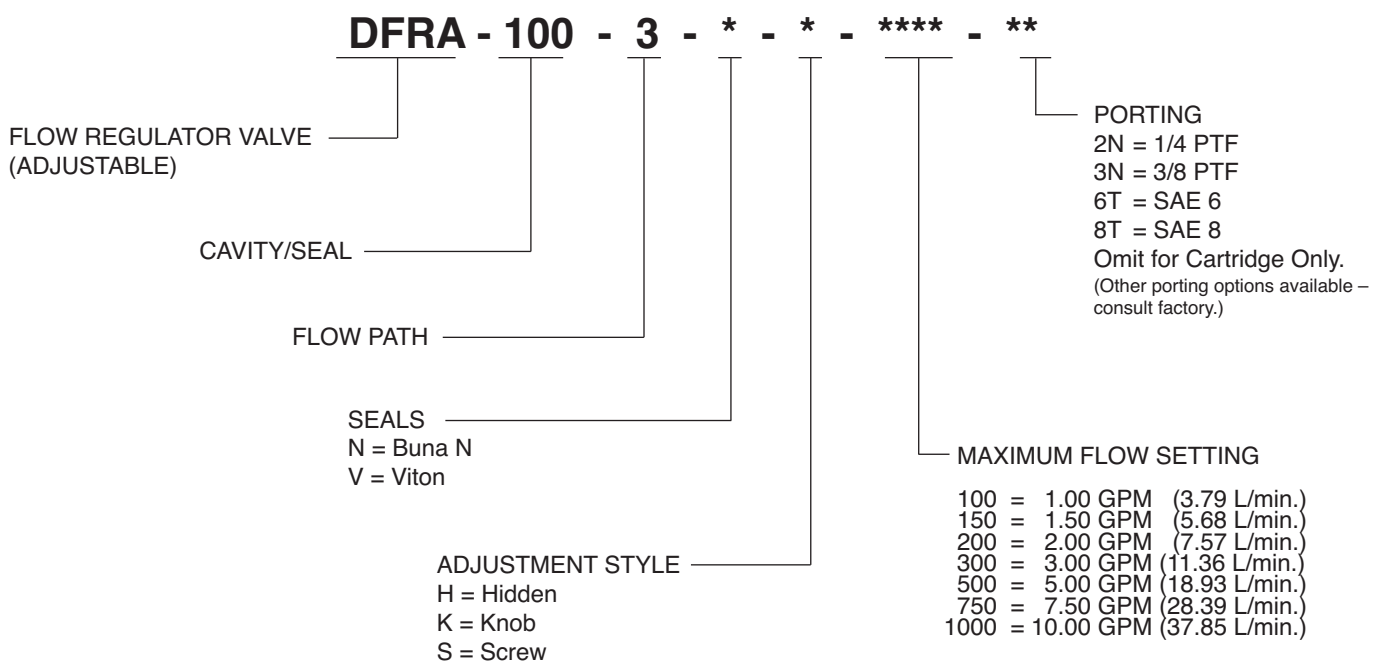


INSTALLATION DIMENSIONS



() Parentheses = Millimeters

HOW TO ORDER



SOLENOID
CHECK
MOTION CONTROL
FLOW CONTROL
RELIEF
PRESSURE CONTROL
SEQUENCE
SHUTTLE
DIRECTIONAL VALVES
ACCESSORIES
TECHNICAL DATA