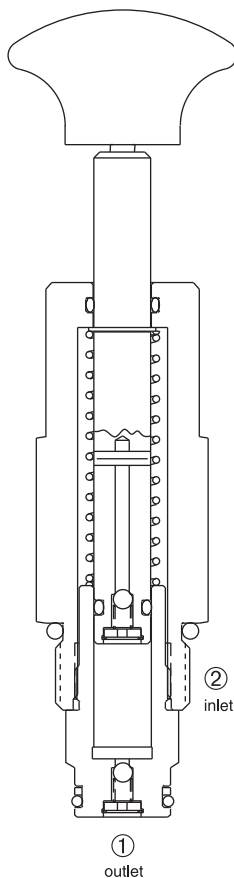
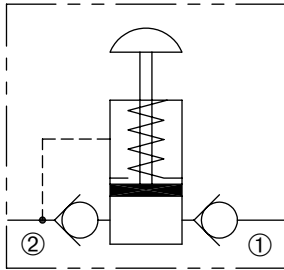


DHP2-100

Hand Pump

SERIES 10



DESCRIPTION

A self-contained cartridge style hand pump designed to deliver flow when the operator is pushed. The inlet and outlet checks are integral to the cartridge.

OPERATION

When the operator is pushed, the DHP2-100 delivers nominal flow of .083 cu. in. to the ① port. When the operator is pulled, DHP2-100 draws fluid from the ② port.

FEATURES and BENEFITS

- Checks are integral to the cartridge.
- Hardened parts for long life.
- Industry common cavity.

SPECIFICATIONS

Maximum Pressure: 3000 PSI (207 Bar)

Operating Pressure: 2000 PSI (138 Bar)

Flow: .083 cu. in.

Internal Leakage: 2 drops/min. max. at 2000 PSI (138 Bar)

Temperature: -30°F to +250°F (-35°C to +120°C)

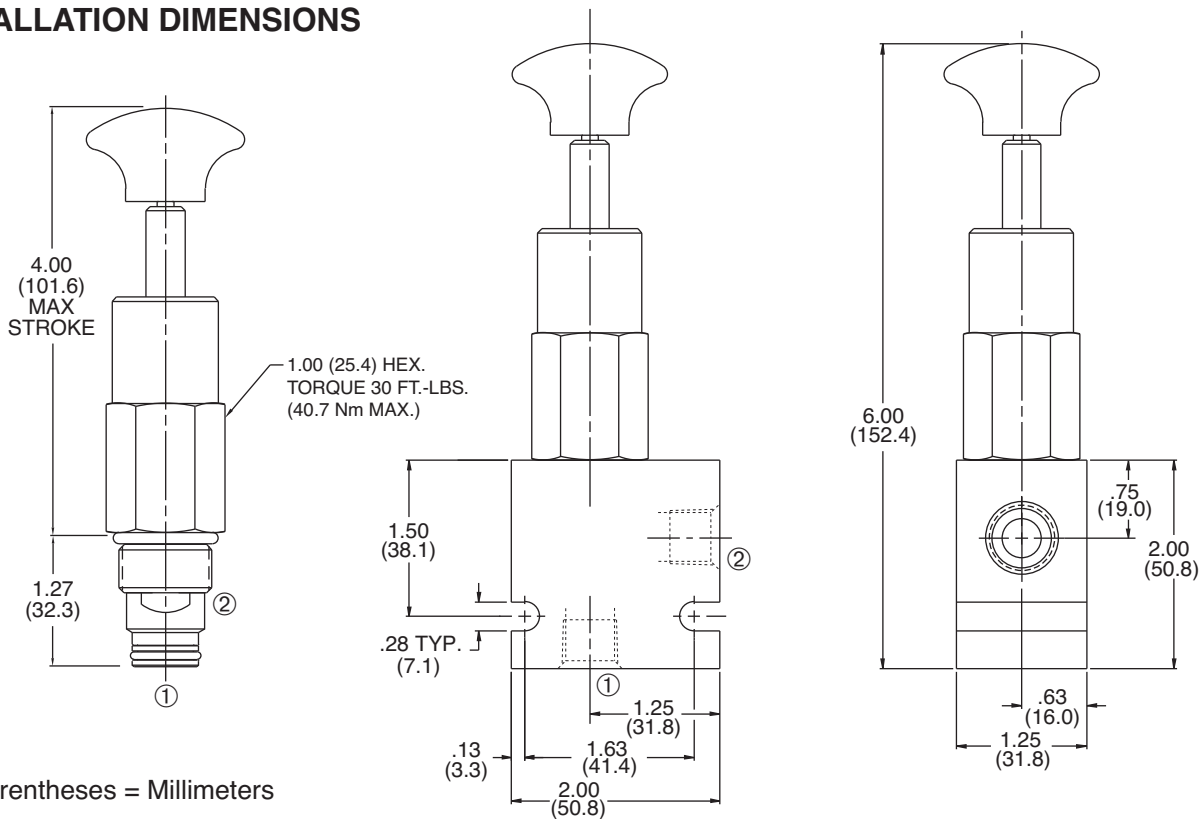
Recommended Filtration: ISO 17/15/13

Fluids: Mineral-based fluids. For other fluid compatibility, consult factory.

Cavity/Cavity Tool: 100-2, see page 11.10.2

In-Line Body Material: Anodized 6061T6 aluminum alloy rated at 3000 PSI (207 Bar).

INSTALLATION DIMENSIONS



() Parentheses = Millimeters

HOW TO ORDER

