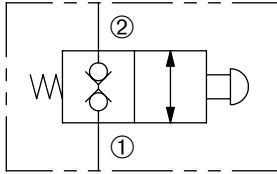


DMR2-080

Normally Closed, Zero Leak
Mechanically-Operated Valve

SERIES 8



DESCRIPTION

A mechanically-operated cartridge valve designed with positive shut off to be used in load-holding applications.

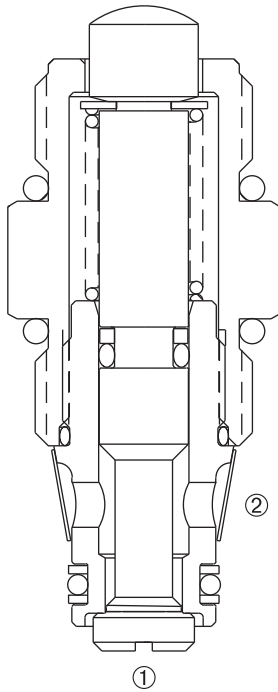
OPERATION

The DMR2-080 blocks flow in both directions. When the plunger is actuated, the poppet opens, allowing flow in either direction.

The force required to depress the plunger is the summation of:

- Pressure psi at ① x .066
- Pressure psi at ② x .011
- 8-lb. spring constant

Note: Omit pressure at ① if no pressure exists.
Omit pressure at ② if no pressure exists.



FEATURES and BENEFITS

- Hardened poppet and seat for long life.
- Zero leak.
- Externally threaded for connecting a manual operator.
- Filter screen standard.
- Industry common cavity.
- Compact size.

SPECIFICATIONS

Operating Pressure: 3000 PSI (207 Bar)

Flow: See PRESSURE DROP VS. FLOW graph.

Nominal Flow 5 GPM (18.9 L/min).

Internal Leakage: 0 drops/min. max. at 3000 PSI (207 Bar)

Temperature: -30°F to +250°F (-35°C to +120°C)

Actuation Force: Force (lbs.) = $(P① \times .066) + (P② \times .011) + 8$

Recommended Filtration: Critical Application – ISO 17/15/13

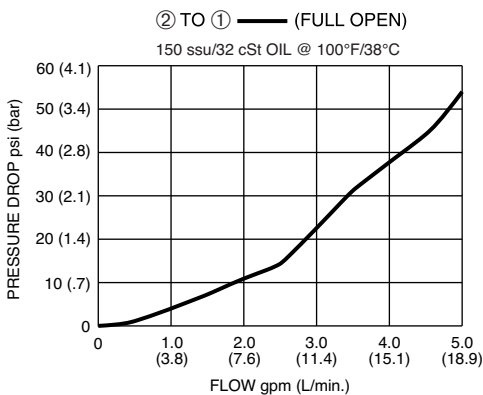
Non-Critical Application – ISO 20/18/14

Fluids: Mineral-based fluids. For other fluid compatibility, consult factory.

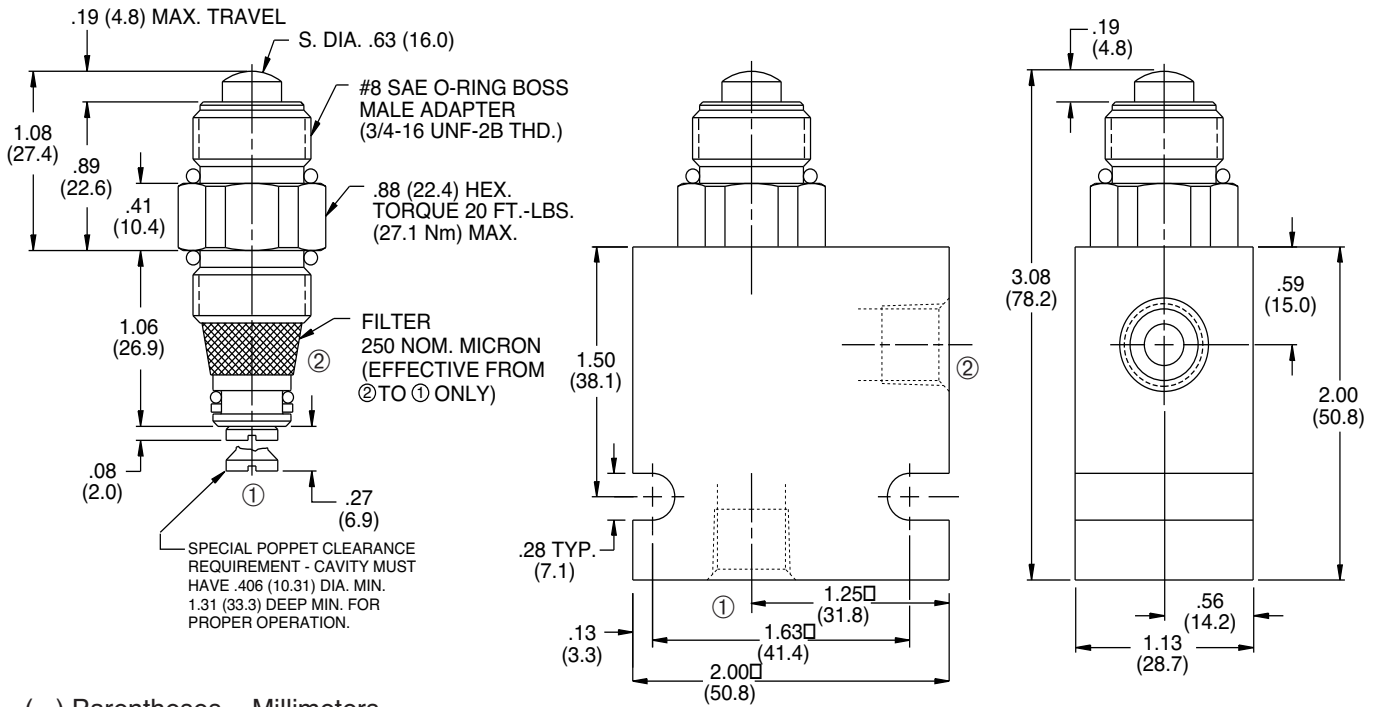
Cavity/Cavity Tool: 080-2, see page 11.08.2

In-Line Body Material: Anodized 6061T6 aluminum alloy rated at 3000 PSI (207 Bar).

PRESSURE DROP VS. FLOW



INSTALLATION DIMENSIONS



HOW TO ORDER

