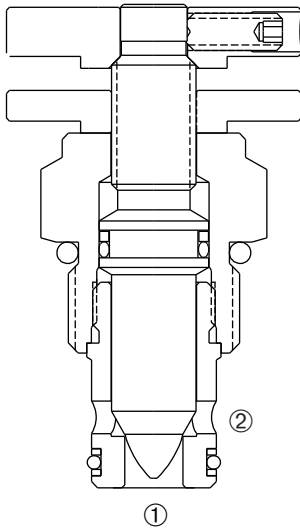
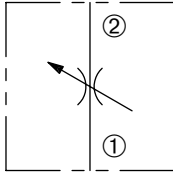


DNV-100

Adjustable,
Needle Valve

SERIES 10



DESCRIPTION

A cartridge valve designed to provide a variable flow restriction with positive shut-off.

OPERATION

The DNV-100 varies flow restriction by adjusting needle in or out and will shut off when fully closed. This valve will meter flow in either direction.

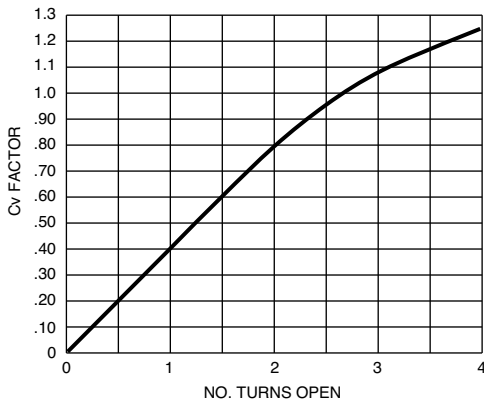
FEATURES and BENEFITS

- Hardened seat for long life.
- Low leakage at shut-off.
- Aluminum knob and disc nut.
- Full range of adjustments.
- Adjustment may be locked in place.
- Positive shut-off.
- Industry common cavity.
- Compact size.

SPECIFICATIONS

Operating Pressure: 3000 PSI (207 Bar)
Flow: 12 gpm (45.4 L/min.) Max. recommended input.
Internal Leakage: 2 drops/min. max. at 3000 PSI (207 Bar) at shut-off.
Temperature: -30°F to +250°F (-35°C to +120°C)
Recommended Filtration: ISO 20/18/14
Fluids: Mineral-based fluids.
 For other fluid compatibility, consult factory.
Cavity/Cavity Tool: 100-2, see page 11.10.2
In-Line Body Material: Anodized 6061T6 aluminum alloy rated at 3000 PSI (207 Bar).

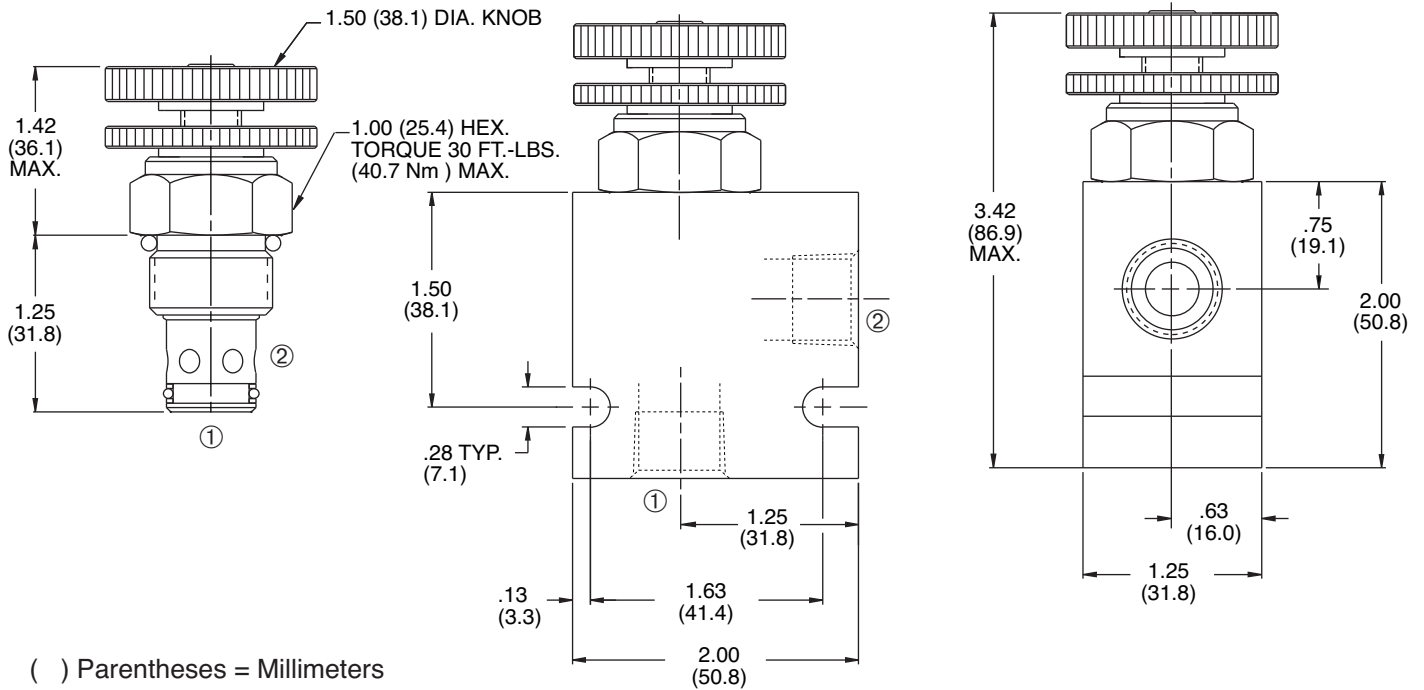
CV FACTOR VS. TURNS OPEN



$$\text{FLOW IN GPM} = \frac{C_v \sqrt{P_1 - P_2}}{\sqrt{G_f}}$$

C_v = Flow Coefficient
 P_1 = Inlet Pressure (psi)
 P_2 = Outlet Pressure (psi)
 G_f = specific gravity of medium at operating temperature in °F.

INSTALLATION DIMENSIONS



HOW TO ORDER

DNV - 100 - * - K - **

NEEDLE VALVE

CAVITY/SEAL

SEALS

N = Buna N

V = Viton

K = Knob

PORTING

2N = 1/4 PTF

3N = 3/8 PTF

6T = SAE 6

8T = SAE 8

Omit for Cartridge Only.

(Other porting options available – consult factory.)

SOLENOID
CHECK
MOTION CONTROL
FLOW CONTROL
RELIEF
PRESSURE CONTROL
SEQUENCE
SHUTTLE
DIRECTIONAL VALVES
ACCESSORIES
TECHNICAL DATA