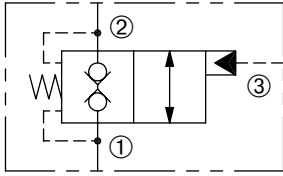


DPOD-100-2NCP

Pilot To Open, Poppet-Type,
Directional Control Valve

SERIES 10

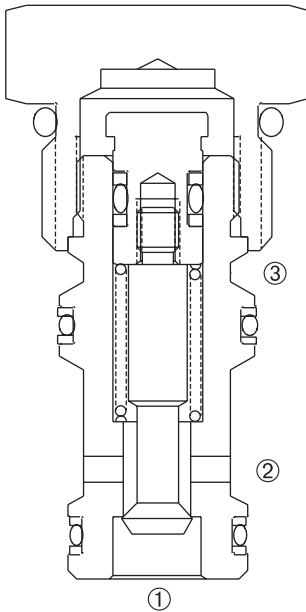


DESCRIPTION

A cartridge valve designed to block flow in both directions. Free flow can be achieved by reaching the required pilot pressure. This valve is commonly used in load holding or blocking applications.

OPERATION

In the steady state the poppet is held closed to block flow between ① and ② and ② and ①. When the required pilot pressure is achieved at ③, the poppet is held open to allow free flow between ② and ① or ① and ②. The pilot area ratio port ③ to ① is 1.3 to 1 and the area ratio port ③ to ② is 1.8 to 1.



FEATURES and BENEFITS

- Hardened spool and sleeve for long life and low leakage.
- Industry common cavity.
- Compact size.

SPECIFICATIONS

Operating Pressure: 3000 PSI (207 Bar)

Flow: See PRESSURE DROP VS. FLOW graph.

Internal Leakage: 5 drops/min. max. at 3000 PSI (207 Bar)

Pilot Pressure: 125 PSI (8.6 Bar)

Pilot Ratio: ③ to ① is 1.3 to 1 and ③ to ② is 1.8 to 1.

Temperature: -30°F to +250°F (-35°C to +120°C)

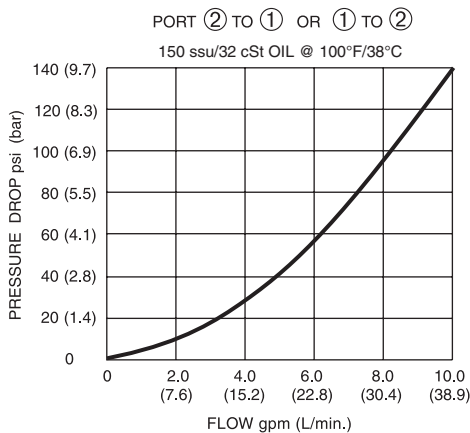
Recommended Filtration: ISO 17/15/13

Fluids: Mineral-based fluids. For other fluid compatibility, consult factory.

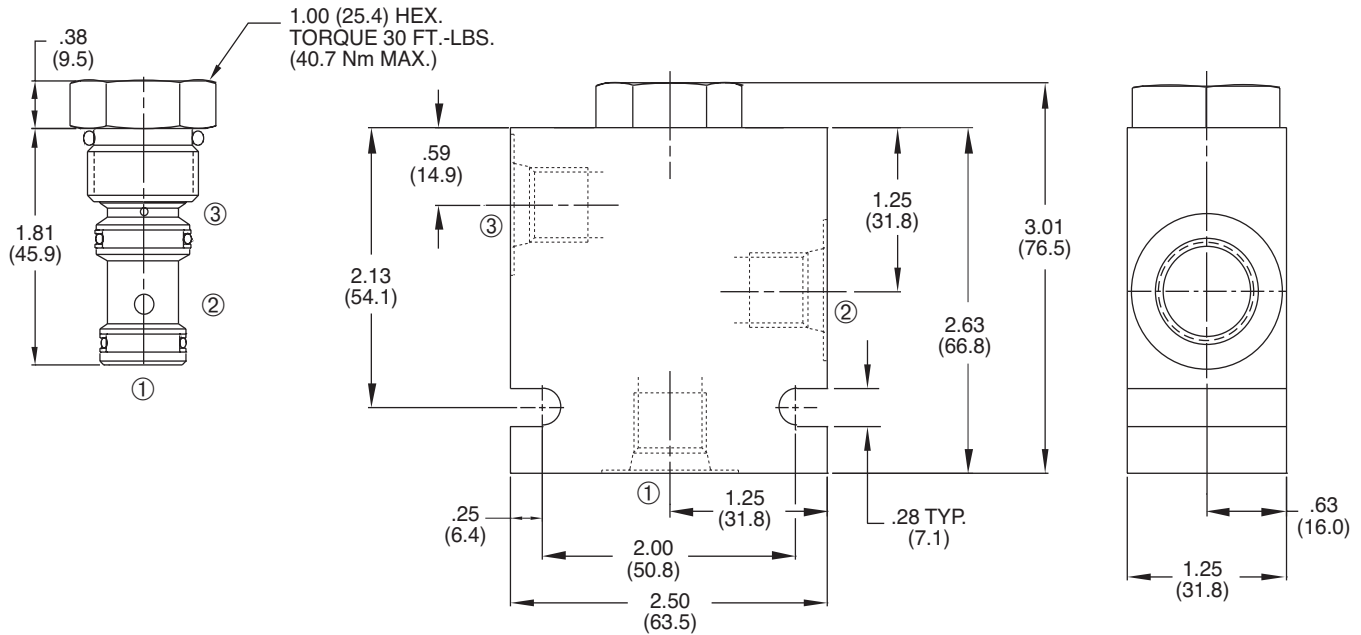
Cavity/Cavity Tool: 100-3S, see page 11.10.3S

In-Line Body Material: Anodized 6061T6 aluminum
alloy rated at 3000 PSI (207 Bar).

PRESSURE DROP VS. FLOW



INSTALLATION DIMENSIONS



() Parentheses = Millimeters

HOW TO ORDER

