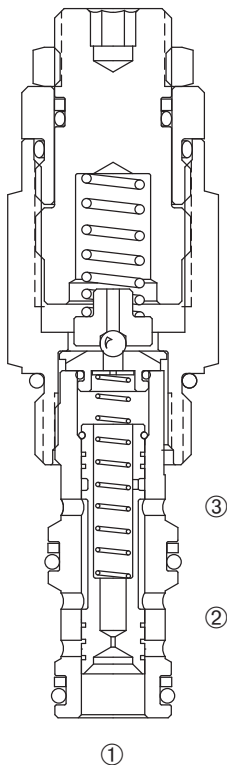
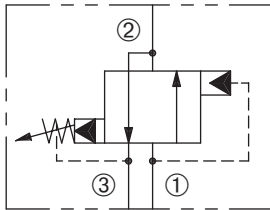


DPS3-080

Adjustable, Pilot-Operated,
Sequence Valve

SERIES 8



DESCRIPTION

An adjustable, pilot operated spool cartridge valve designed to direct oil to a circuit when a predetermined pressure has been reached.

OPERATION

The DPS3-080 in steady state blocks flow at ① while allowing flow from ② to ③. When the preset pressure at ① is achieved the pilot section opens. This pilot flow creates a pressure differential across the spool, which causes the spool to shift to allow flow from ① to ②.

FEATURES and BENEFITS

- Hardened precision spool and sleeve for long life.
- Variety of pressure ranges.
- High accuracy of pilot operated design.
- Adjustment prevents spring from going solid.
- Adjustment may be locked in place.
- Tamper resistant option.
- Industry common cavity.
- Compact size.

SPECIFICATIONS

Operating Pressure: 5000 PSI (345 Bar)

Flow: 6 GPM (22.7 L/min.)

Internal Leakage: 5 in³/min. (82 cc/min.) max. at 3000 PSI (207 Bar)

Std. Spring Ranges: 300 to 5000 PSI (20 to 345 Bar)

Preset: (SEE HOW TO ORDER)

Temperature: -30°F to +250°F (-35°C to +120°C)

Recommended Filtration: ISO 19/15

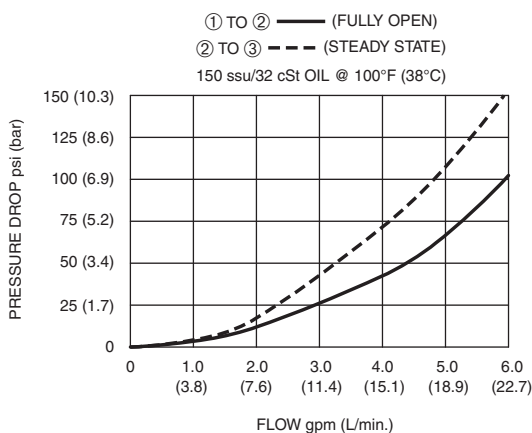
Fluids: Mineral-based fluids.

For other fluid compatibility, consult factory.

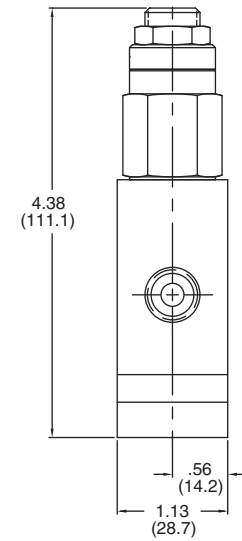
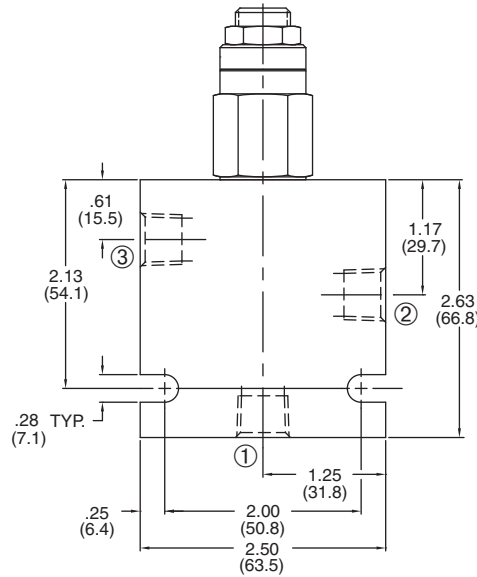
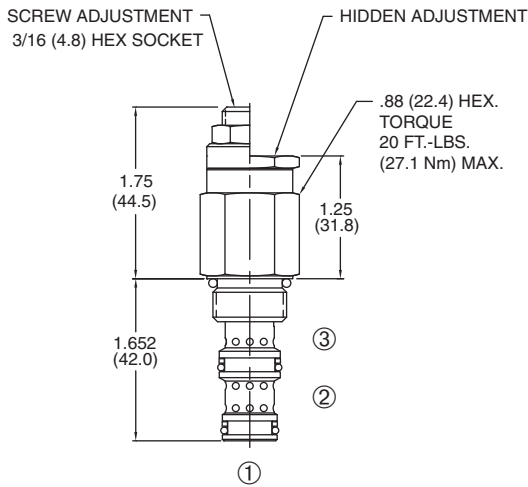
Cavity/Cavity Tool: 080-3, see page 11.08.3

In-Line Body Material: Anodized 6061T6 aluminum
alloy rated at 3000 PSI (207 Bar).

PRESSURE DROP VS. FLOW



INSTALLATION DIMENSIONS



() Parentheses = Millimeters

HOW TO ORDER

