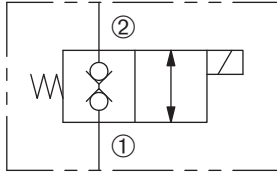


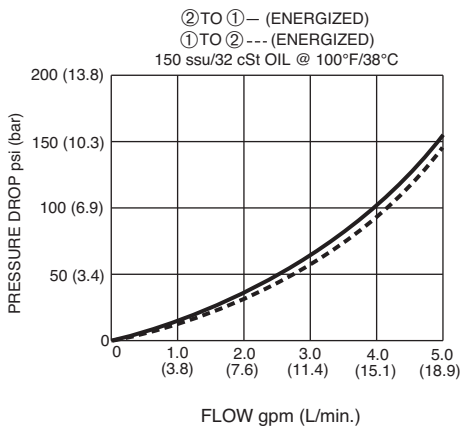
# DSV-080-2NCSP

Normally-Closed, Two-Way, Two-Position,  
Bi-Directional Solenoid Valve

## SERIES 8



### PRESSURE DROP VS. FLOW



### DESCRIPTION

A cartridge valve designed with positive shut off, blocking in both directions, to be used in load holding applications.

### OPERATION

When de-energized, the DSV-080-2NCSP blocks flow in both directions. When energized, the poppet shifts to allow flow in either direction.

**Operation of Manual Override Option M:** To override, push button in, twist counterclockwise and release. In this position, valve will remain open in a detented condition. To return to normal operation, push button in, twist clockwise and release. **Option MB:** To override, push button in to activate. To return to normal valve function, release button.

### FEATURES and BENEFITS

- Continuous-duty solenoid.
- Uses Size 10 coils.
- Hardened poppet and seat for long life and low leakage.
- Efficient wet-armature construction.
- Cartridges are voltage interchangeable.
- Optional coil voltages and terminations.
- Low leak valve available.
- Manual override option.
- Industry common cavity.

### SPECIFICATIONS

**Operating Pressure:** 3000 psi (207 bar)

**Flow:** See PRESSURE DROP VS. FLOW graph.

Nominal flow 5 gpm (18.9 lpm)

**Internal Leakage:** 5 drops/min max. at 3000 psi (207 bar)

Low leakage available -

Less than 2 drops/min max. at 3000 psi (207 bar)

**Temperature:** -30°F to +250°F (-35°C to +120°C)

**Coil:** Series 10: K-Coil see page 1.93.1; S-Coil see page 1.94.1.

**Coil Duty Rating:** Continuous from 85% to 110% of rated voltage.

**Current Draw:** 12 VDC is 1.8 amps.

**Minimum Pull-In Voltage:** 85% of rated voltage at 3000 psi (207 bar)

**Response Time:** 80% of final change of state with 100% voltage supplied at 100% of nominal flow rating.

**Pull-In:** 12 VDC 41 m. sec. **Drop-Out:** 12 VDC 30 m. sec.

**Recommended Filtration:** Critical Application – ISO 17/15/13

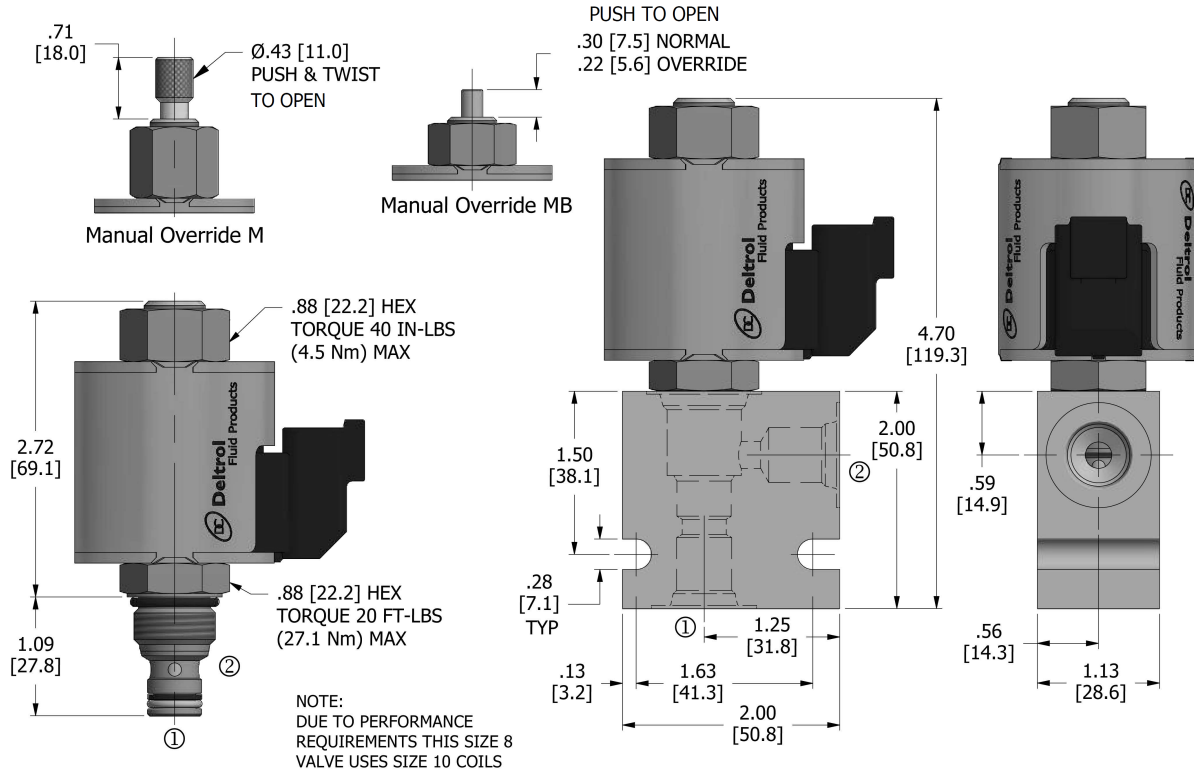
Non-Critical Application – ISO 20/18/14

**Fluids:** Mineral-based fluids. For other fluid compatibility, consult factory.

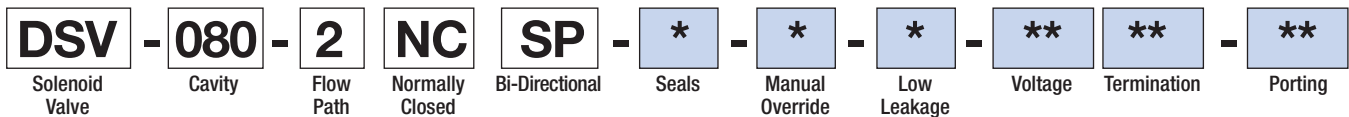
**Cavity/Cavity Tool:** 080-2, see page 11.08.2

**In-Line Body Material:** Anodized 6061T6 aluminum  
alloy rated at 3000 psi (207 bar).

## DIMENSIONS Inches [Millimeters]



## HOW TO ORDER



Seals		Seal Kit
N	Buna N	DSK-080-2-N-A
V	Viton	DSK-080-2-V-A

Manual Override	
omit	No manual override
M	Manual override
MB	Push

Low Leakage	
omit	Standard leakage
L	Low leakage

Voltage†	
omit	Cartridge only w/nut
D1	DC 12 Volt
D2	DC 24 Volt
D9	DC 20 Volt
D10	DC 10 Volt
A5	AC 120 Volt
A6	AC 240 Volt

Termination†		
K-Coil External Frame	S-Coil Internal Frame	For internal diode – consult factory
omit	omit	Cartridge only w/nut
DE	D	Dual Lead
SE	S	Single Lead
BE	B	Dual Spade
AE		Single Spade
EE	E	Single Stud
UE <i>IP69K</i>		Deutsch
PE <i>IP69K</i>		Metri-Pack
JE <i>IP69K</i>		Amp Junior Timer
KE		Kostal
HE	H	DIN 43650
	C	Conduit

Porting†			In-Line Body w/c Cartridge
omit	Cartridge only		
2N	1/4 PTF		B-080-2-2N
3N	3/8 PTF		B-080-2-3N
4T	SAE 4		B-080-2-4T
6T	SAE 6		B-080-2-6T

10146-04 10146-04 coil retainer nut

Valve uses Series 10 Coils

† Other options available – consult factory

Valve, Coil, and In-Line Body are supplied individually and need to be assembled. For a completed assembly consult the factory.

All variations may not be configurable. Minimum order quantities may be required on other models. Contact Deltrol Fluid Products for complete details.