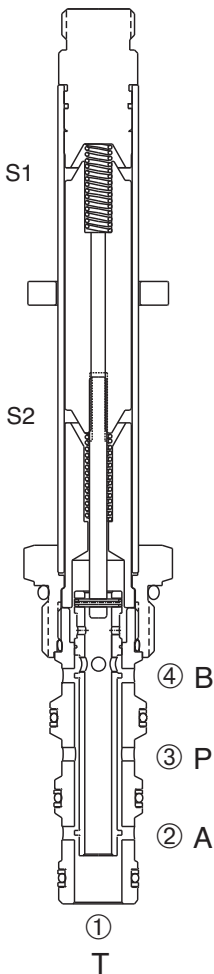
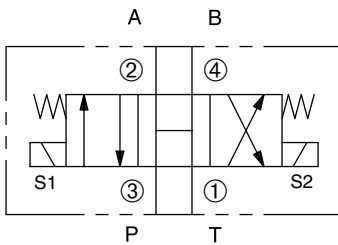


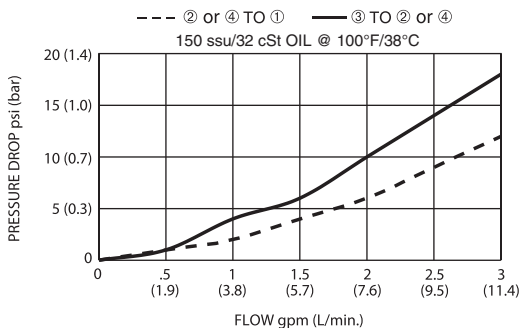
DSV-100-340

Four-Way, Three-Position, Open Center
Spool-Type Solenoid Valve

SERIES 10



PRESSURE DROP VS. FLOW



DESCRIPTION

A cartridge valve designed as a three position, four-way solenoid valve.

OPERATION

When de-energized, the valve allows flow at all ports. When the upper solenoid (S1) is energized, the valve allows flow between the ② and ① ports and the ③ and ④ ports. When the lower solenoid (S2) is energized, the valve allows flow between the ④ and ① ports and the ③ and ② ports.

Operation of Manual Override Option: To override, pull the knurled knob to activate the coil "S1" function, or push the knurled knob to activate the coil "S2" function. Release the knurled knob to return the center position.

FEATURES and BENEFITS

- Continuous-duty solenoid.
- Hardened precision spool and sleeve for long life.
- Efficient wet-armature construction.
- Cartridges are voltage interchangeable.
- Optional coil voltages and terminations.
- Industry common cavity.
- Compact size.

SPECIFICATIONS

Operating Pressure: 3000 PSI (207 Bar)

Flow: See PRESSURE DROP VS. FLOW CURVE.

Nominal flow 3 gpm (11.4L/min.)

Internal Leakage: (Per land) 10 cu in./min. max. (164 cc/min.)
at 3000 PSI (207 Bar)

Temperature: -30°F to +250°F (-35°C to +120°C)

Coil Rating: [Continuous from 85% to 110% of rated voltage.](#)

Current Draw: 12 VDC is 1.8 amps.

Minimum Pull-In Voltage: 85% of rated voltage at 3000 PSI (207 Bar)

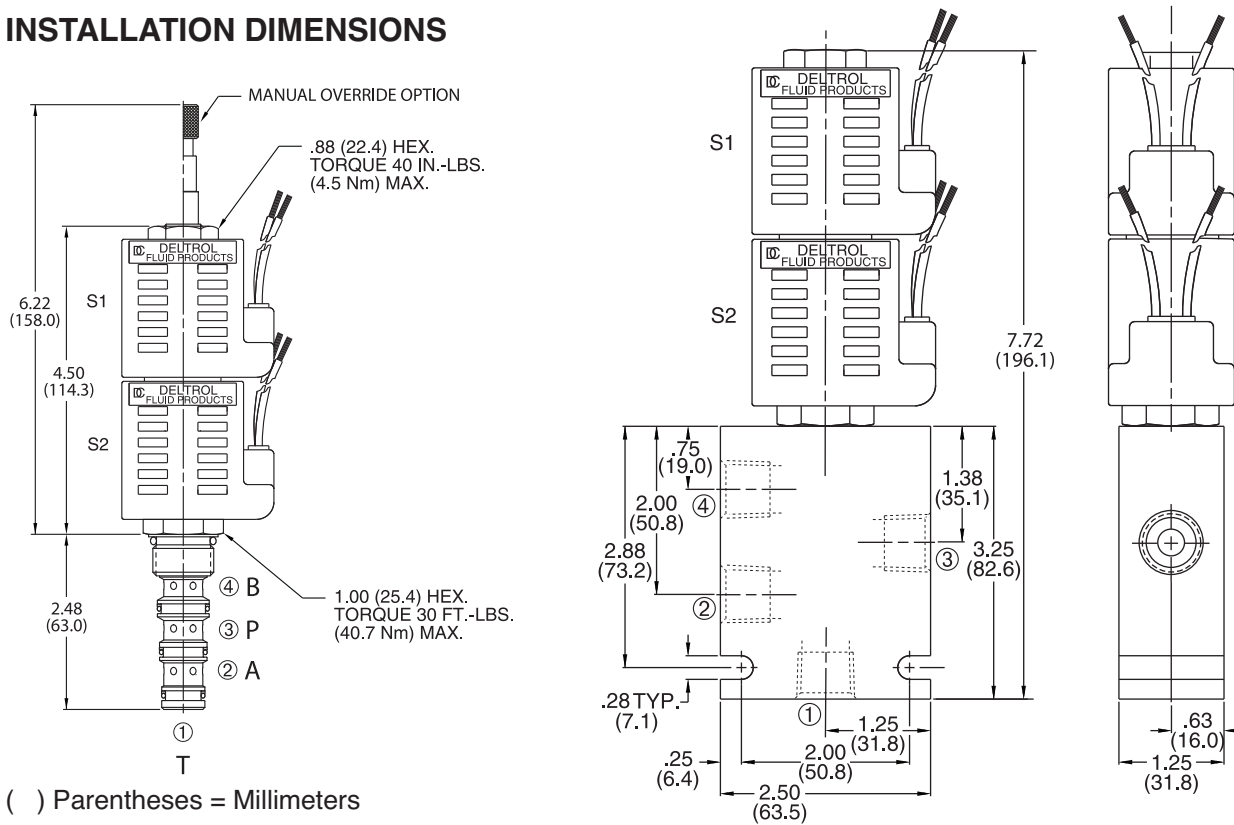
Recommended Filtration: ISO 17/15/13

Fluids: Mineral-based fluids. For other fluid compatibility, consult factory.

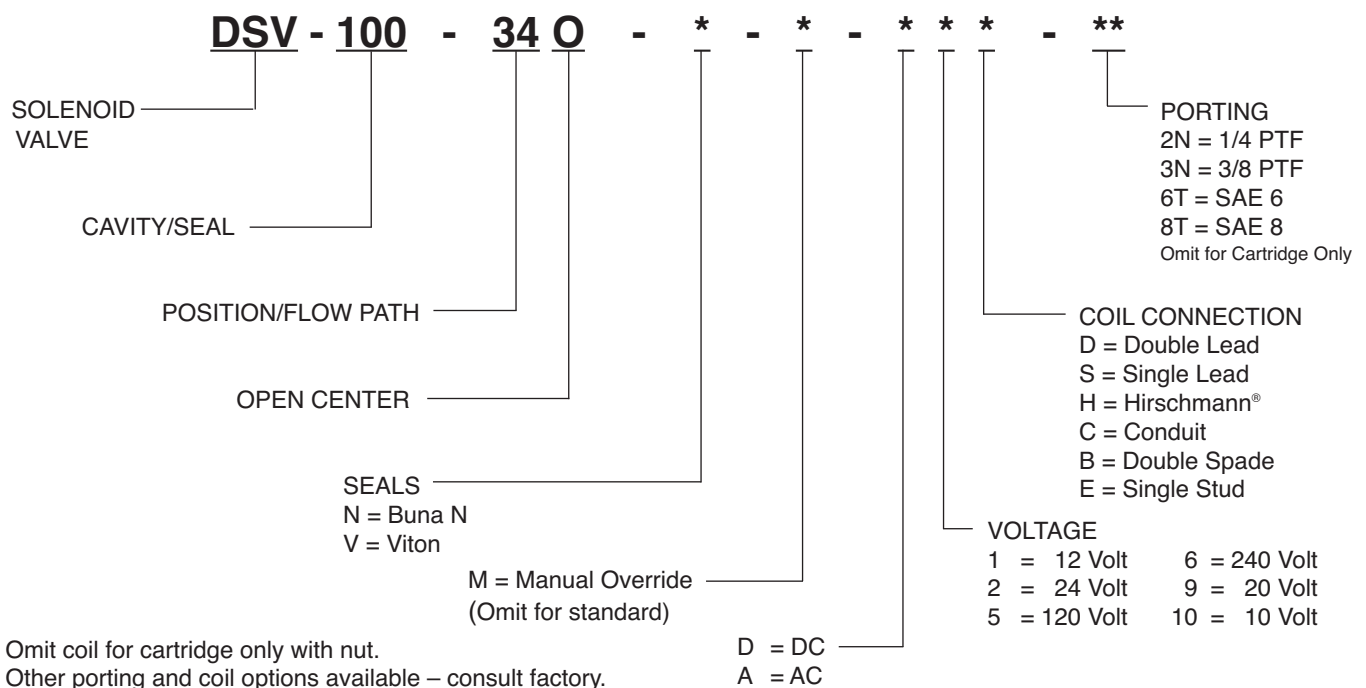
Cavity/Cavity Tool: [100-4, see page 11.10.4](#)

In-Line Body Material: Anodized 6061T6 aluminum
alloy rated at 3000 PSI (207 Bar)

INSTALLATION DIMENSIONS



HOW TO ORDER



Omit coil for cartridge only with nut.
Other porting and coil options available – consult factory.