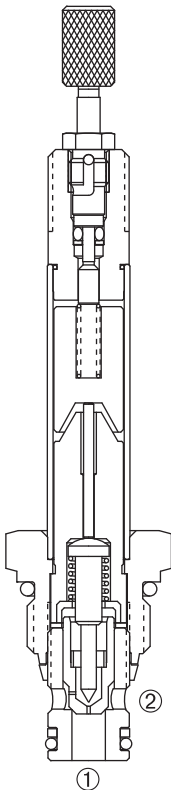
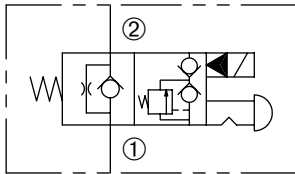


# DSV2-080-2NOP-\*<sup>-</sup>M (Push-Type Manual Override)



Normally-Open, Two-Way, Two-Position, Poppet-Type Solenoid Valve

## SERIES 8



### DESCRIPTION

A cartridge valve designed with positive shut off to be used in load holding applications.

### OPERATION

When de-energized, the DSV2-080-2NOP-\*<sup>-</sup>M poppet is open to allow flow from ② to ①.

When energized, the poppet closes to block flow from ② to ①. In this condition, the cartridge allows reverse flow from ① to ② after overcoming the solenoid force of 75 PSI (5 Bar).

**Operation of Manual Override Option:** To override, push knob in, twist clockwise and release. In this position, the valve will remain closed. To return to normal operation, push knob in, twist counterclockwise and release. Override will be detented in this position.

### FEATURES and BENEFITS

- Continuous-duty solenoid.
- Hardened poppet and plunger for long life and low leakage.
- Efficient wet-armature construction.
- Cartridges are voltage interchangeable.
- Optional coil voltages and terminations.
- Filter screen standard.
- Industry common cavity.
- Compact size.

### SPECIFICATIONS

**Operating Pressure:** 3000 PSI (207 Bar)

**Flow:** See PRESSURE DROP VS. FLOW graph.

Nominal flow 5 gpm (18.9 L/min.)

**Internal Leakage:** 5 drops/min. max. at 3000 PSI (207 Bar)

**Temperature:** -30° F to +250° F (-35°C to +120° C)

**Coil Rating:** [Continuous from 85% to 110% of rated voltage.](#)

**Current Draw:** 12 VDC is 1.3 amps.

**Minimum Pull-In Voltage:** 85% of rated voltage at 3000 PSI (207 Bar)

**Response Time:** 80% of final change of state with 100% voltage supplied at 100% of nominal flow rating.

**Pull-In:** 12 VDC 25 m. sec. **Drop-Out:** 12 VDC 30 m. sec.

**Recommended Filtration:** Critical Application-ISO 17/15/13

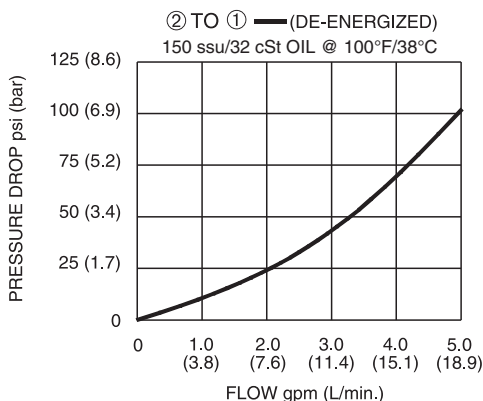
Non-Critical Application-ISO 20/18/14

**Fluids:** Mineral-based fluids. For other fluid compatibility consult factory.

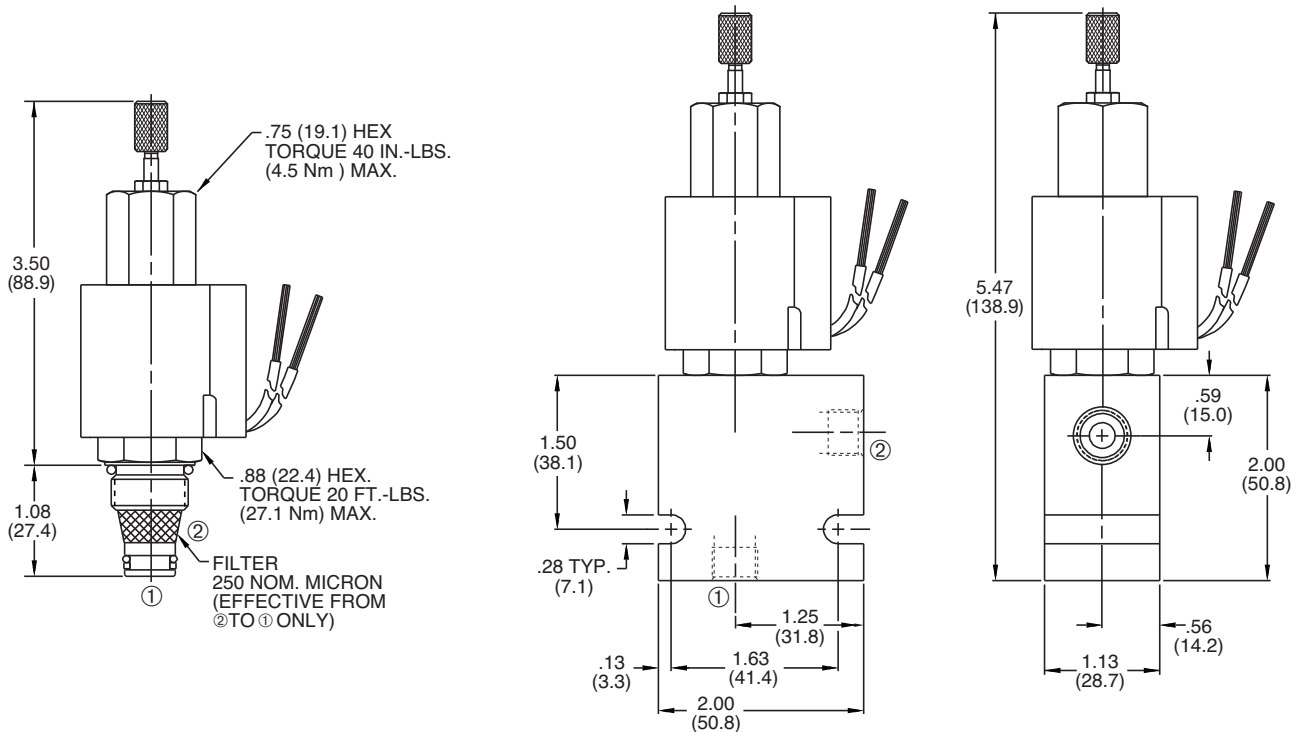
**Cavity/Cavity Tool:** [080-2, see page 11.08.2](#)

**In-Line Body Material:** Anodized 6061T6 aluminum alloy rated at 3000 PSI (207 Bar).

### PRESSURE DROP VS. FLOW

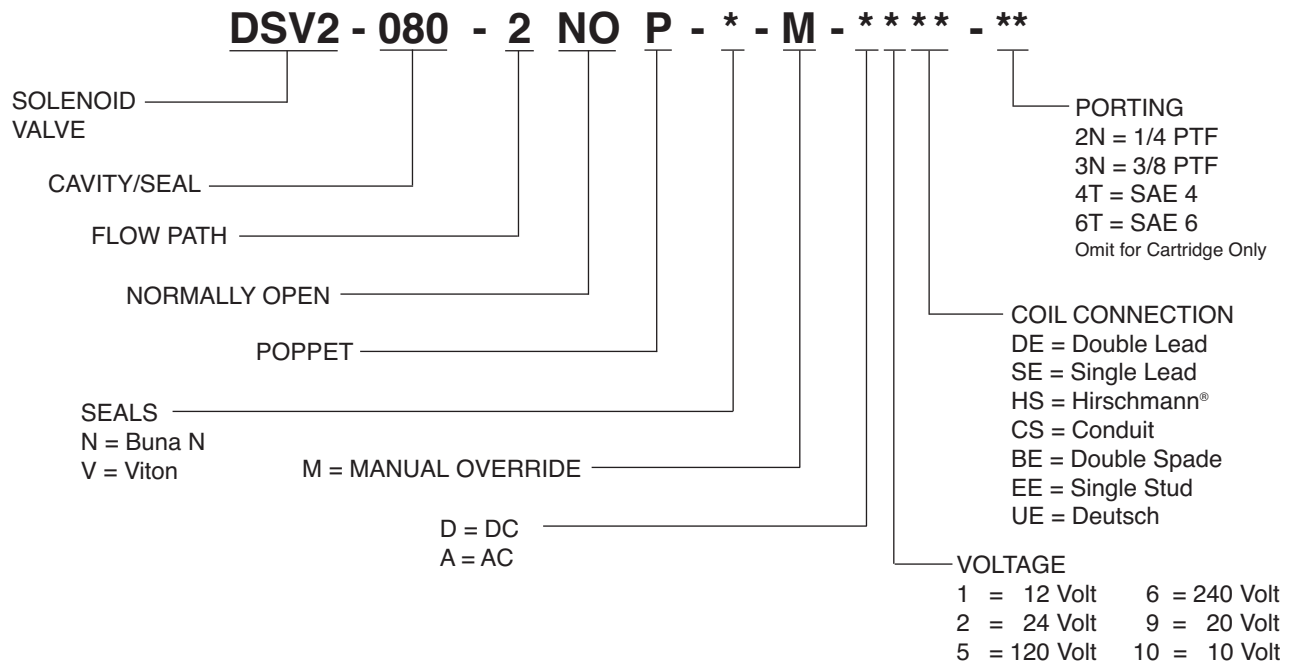


**INSTALLATION DIMENSIONS**



( ) Parentheses = Millimeters

**HOW TO ORDER**



Omit coil for cartridge only with nut.  
Other porting and coil options available – consult factory.

SOLENOID  
CHECK  
MOTION CONTROL  
FLOW CONTROL  
RELIEF  
PRESSURE CONTROL  
SEQUENCE  
SHUTTLE  
DIRECTIONAL VALVES  
ACCESSORIES  
TECHNICAL DATA