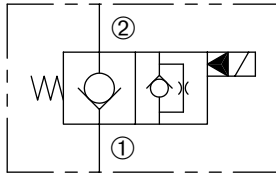


DSV2-100-2NCP

Normally-Closed, Two-Way, Two-Position,
Pilot-Operated Solenoid Valve

SERIES 10



DESCRIPTION

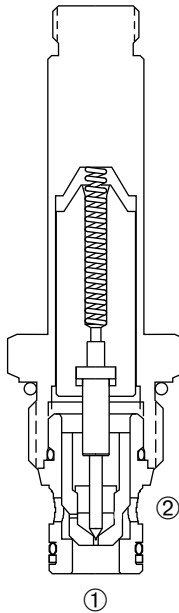
A cartridge valve designed with positive shut off to be used in load holding applications.

OPERATION

When de-energized, the DSV2-100-2NCP acts as a check valve, allowing flow from ① to ②, while blocking flow from ② to ①. When energized, the poppet lifts to open the ② to ① flow path.

Operation of Manual Override Option: To override, push button in, twist counterclockwise and release. In this position, valve will remain open in a detented condition.

To return to normal operation, push button in, twist clockwise and release. Override will be detented in this position.



FEATURES and BENEFITS

- Continuous-duty solenoid.
- Hardened poppet and plunger for long life and low leakage.
- Efficient wet-armature construction.
- Cartridges are voltage interchangeable.
- Optional coil voltages and terminations.
- Filter screen standard.
- Manual override option.
- Industry common cavity.
- Compact size.

SPECIFICATIONS

Operating Pressure: 3000 PSI (207 Bar)

Flow: See PRESSURE DROP VS. FLOW graph.

Internal Leakage: 5 drops/min. max. at 3000 PSI (207 Bar)

Temperature: -30° F to +250° F (-35°C to +120° C)

Coil Rating: [Continuous from 85% to 110% of rated voltage.](#)

Current Draw: 12 VDC is 1.8 amps.

Minimum Pull-In Voltage: 85% of rated voltage at 3000 PSI (207 Bar)

Response Time: 80% of final change of state with 100% voltage supplied at 100% of nominal flow rating.

Pull-In: 12 VDC 100 m. sec. **Drop-Out:** 12 VDC 180 m. sec.

Recommended Filtration: Critical Application-ISO 17/15/13

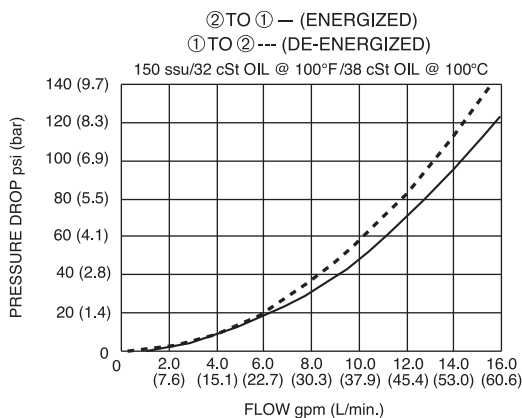
Non-Critical Application-ISO 20/18/14

Fluids: Mineral-based fluids. For other fluid compatibility consult factory.

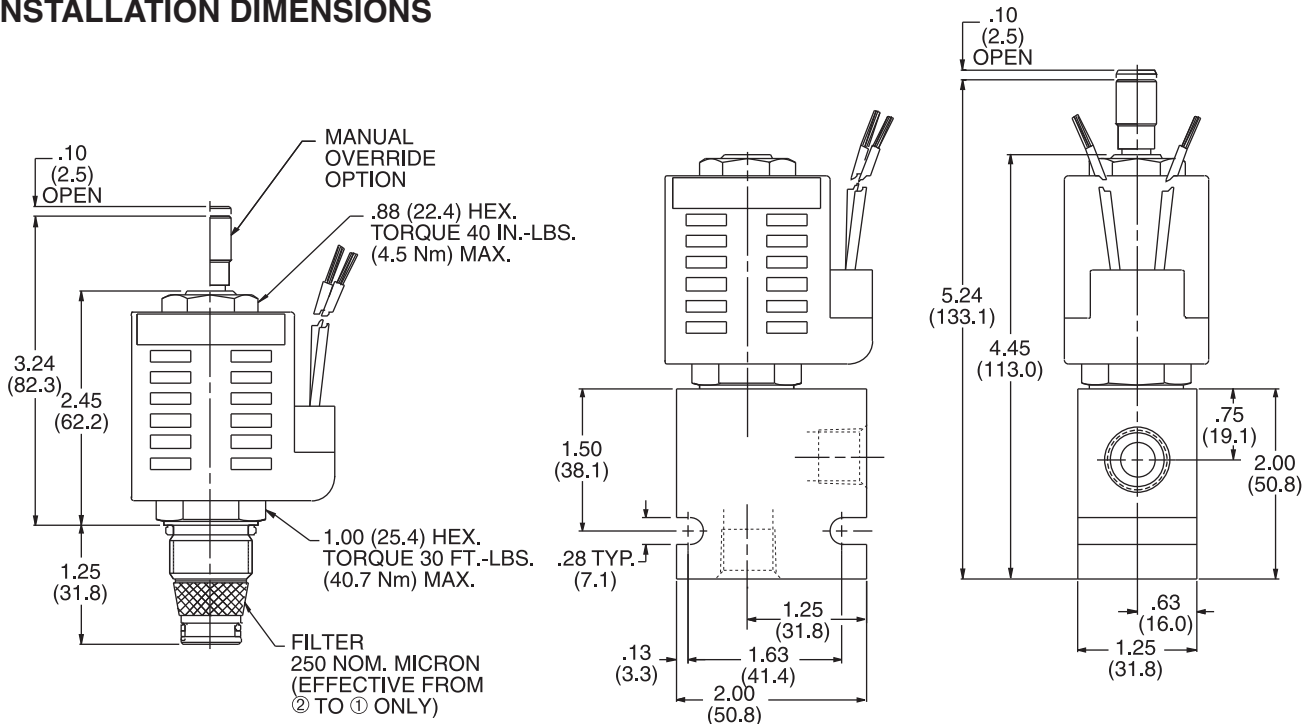
Cavity/Cavity Tool: [100-2, see page 11.10.2](#)

In-Line Body Material: Anodized 6061T6 aluminum alloy rated at 3000 PSI (207 Bar).

PRESSURE DROP VS. FLOW

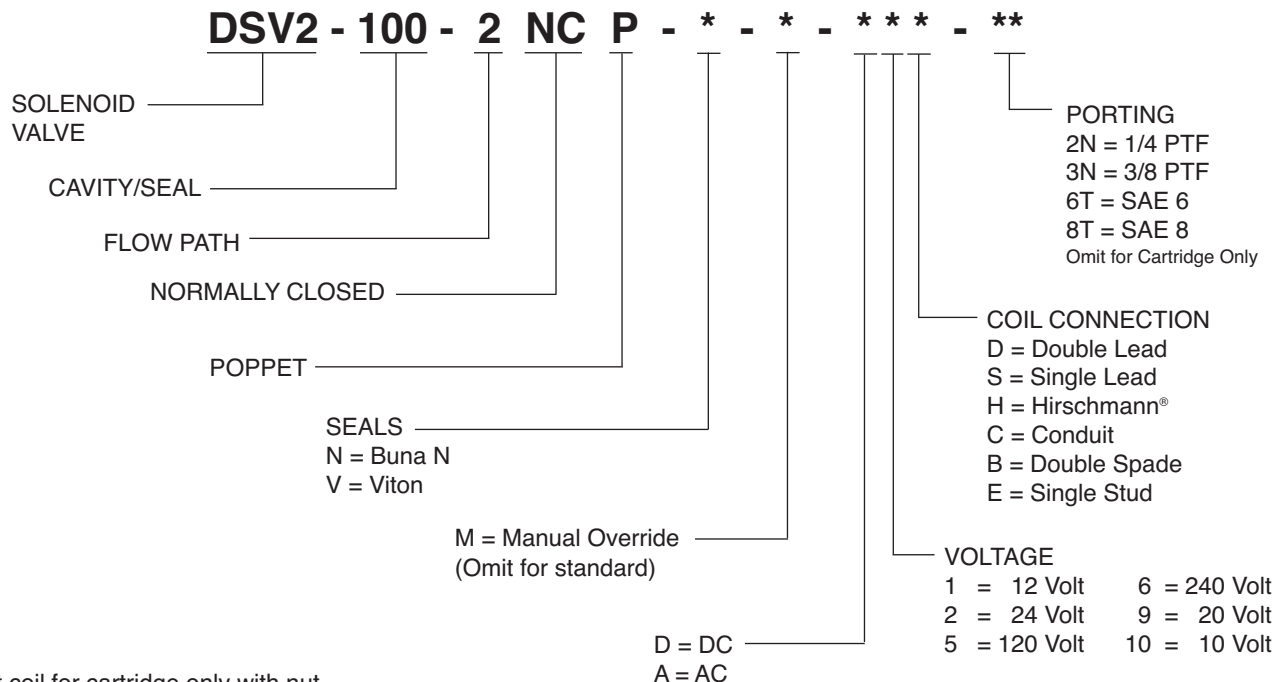


INSTALLATION DIMENSIONS



() Parentheses = Millimeters

HOW TO ORDER



Omit coil for cartridge only with nut.
Other porting and coil options available – consult factory.

SOLENOID
CHECK
MOTION CONTROL
FLOW CONTROL
RELIEF
PRESSURE CONTROL
SEQUENCE
SHUTTLE
DIRECTIONAL VALVES
ACCESSORIES
TECHNICAL DATA