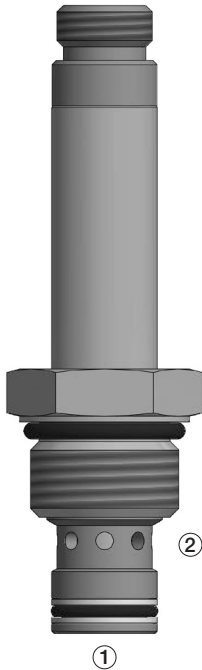
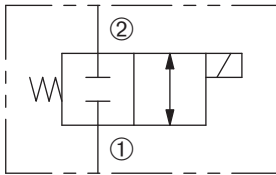


# DSV2-100-2NCS

Normally-Closed, Two-Way, Two-Position,  
Spool-Type Solenoid Valve



## SERIES 10



### DESCRIPTION

A cartridge valve designed to operate as a bi-directional blocking valve.

### OPERATION

When de-energized, the DSV2-100-2NCS blocks flow in both directions.

When energized, the cartridge's spool shifts to allow flow in either direction.

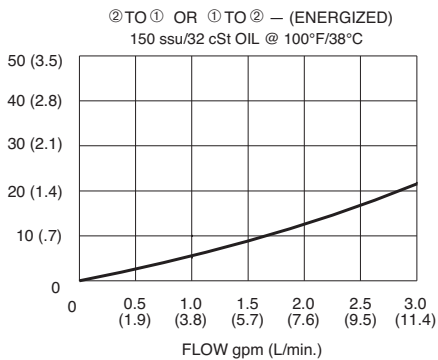
**Operation of Manual Override Option:** To override, push button in, twist counterclockwise and release. In this position, valve will remain open in a detented condition.

To return to normal operation, push button in, twist clockwise and release. Override will be detented in this position.

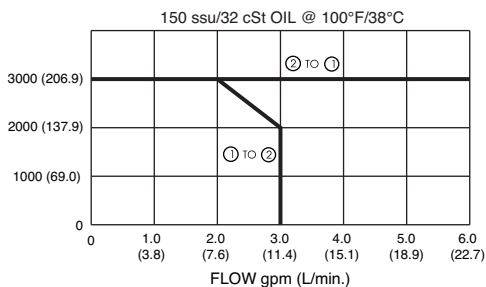
### FEATURES and BENEFITS

- Both ports may be fully pressurized.
- Continuous-duty solenoid.
- Hardened precision spool and sleeve for long life.
- Efficient wet-armature construction.
- Cartridges are voltage interchangeable.
- Optional coil voltages and terminations.
- Manual override option.
- Industry common cavity.

### PRESSURE DROP VS. FLOW



### PERFORMANCE CHARACTERISTIC



### SPECIFICATIONS

**Operating Pressure:** 3000 psi (207 bar)

**Flow:** See PERFORMANCE CHARACTERISTIC graph.  
Nominal flow 6 gpm (22.7 lpm)

**Internal Leakage:** 5 in<sup>3</sup>/min (82 cc/min) max. at 3000 psi (207 bar)

**Temperature:** -30° F to +250° F (-35°C to +120° C)

**Coil:** Series 10: K-Coil see page 1.93.1; S-Coil see page 1.94.1.

**Coil Duty Rating:** Continuous from 85% to 110% of rated voltage.

**Current Draw:** 12 VDC is 1.8 amps.

**Minimum Pull-In Voltage:** 85% of rated voltage at 3000 psi (207 bar)

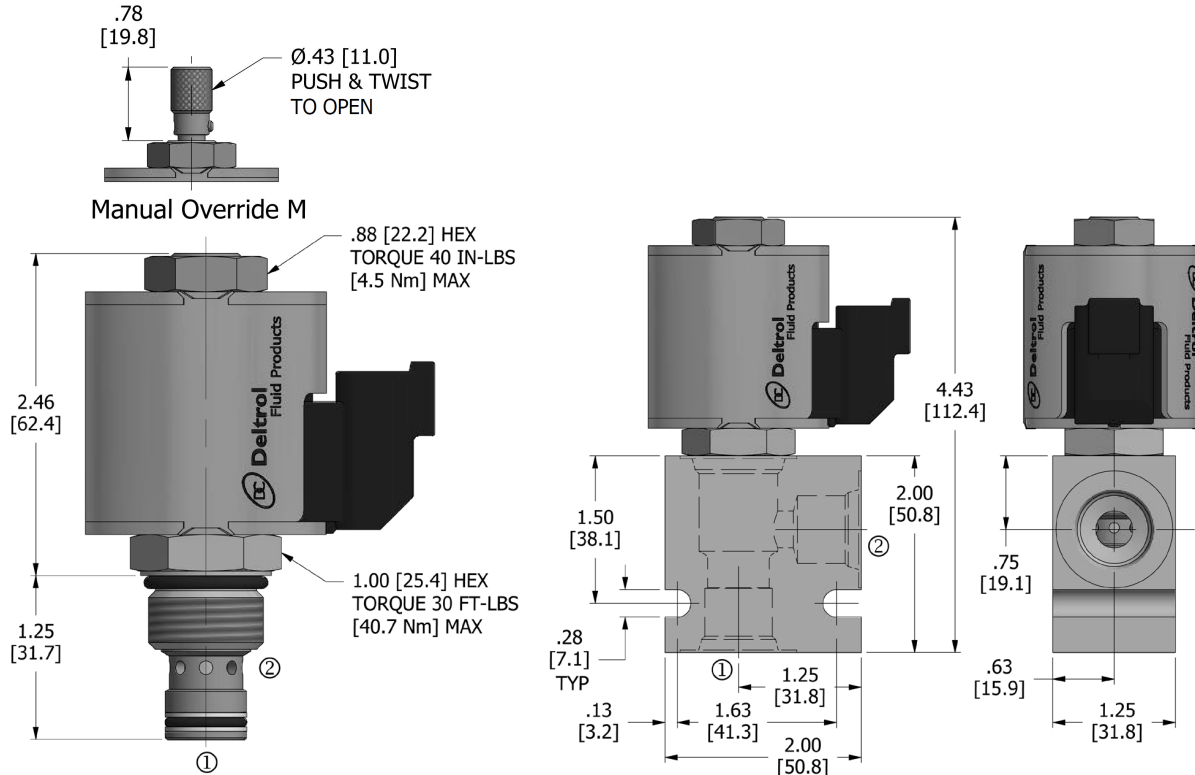
**Recommended Filtration:** ISO 17/15/13

**Fluids:** Mineral-based fluids. For other fluid compatibility consult factory.

**Cavity/Cavity Tool:** 100-2, see page 11.10.2

**In-Line Body Material:** Anodized 6061T6 aluminum alloy rated at 3000 psi (207 bar).

## DIMENSIONS Inches [Millimeters]



## HOW TO ORDER

**DSV2** - **100** - **2** **NC** **S** - **\*** - **\*** - **\*\*** **\*\*** - **\*\***  
 Solenoid Valve    Cavity    Flow Path    Normally Closed    Spool    Seals    Manual Override    Voltage    Termination    Porting

Seals		Seal Kit
N	Buna N	DSK-100-2-N-B
V	Viton	

Manual Override	
omit	No manual override
M	Manual override

Voltage†	
omit	Cartridge only w/nut
D1	DC 12 Volt
D2	DC 24 Volt
D9	DC 20 Volt
D10	DC 10 Volt
A5	AC 120 Volt
A6	AC 240 Volt

Termination†		
K-Coil External Frame	S-Coil Internal Frame	For internal diode – consult factory
omit	omit	Cartridge only w/nut
DE	D	Dual Lead
SE	S	Single Lead
BE	B	Dual Spade
AE		Single Spade
EE	E	Single Stud
UE IP69K		Deutsch
PE IP69K		Metri-Pack
JE IP69K		Amp Junior Timer
KE		Kostal
HE	H	DIN 43650
	C	Conduit

Porting†		
omit	Cartridge only	In-Line Body w/o Cartridge
2N	1/4 PTF	B-100-2-2N
3N	3/8 PTF	B-100-2-3N
6T	SAE 6	B-100-2-6T
8T	SAE 8	B-100-2-8T

10243-72 | 10243-72 | coil retainer nut

† Other options available – consult factory  
 Valve, Coil, and In-Line Body are supplied individually and need to be assembled. For a completed assembly consult the factory.  
 All variations may not be configurable. Minimum order quantities may be required on other models. Contact Deltrol Fluid Products for complete details.