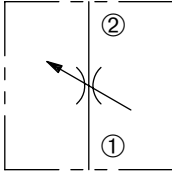


# NC-\*\*-S

Adjustable,  
Needle Valve

## SERIES NC



### DESCRIPTION

A non-self-contained cartridge valve designed to provide a variable flow restriction with positive shut-off. Valve sizes range from 1/8" to 3/4".

### OPERATION

The NC series of valves vary flow restriction by adjusting needle in or out and will shut off when fully closed. These valves will meter flow in either direction.

### FEATURES and BENEFITS

- Aluminum knob.
- Full range of adjustments.
- Adjustment may be locked in place.
- Positive shut-off.
- Viton seals.
- Compact size.

### SPECIFICATIONS

**Operating Pressure:** 3000 PSI (207 Bar)

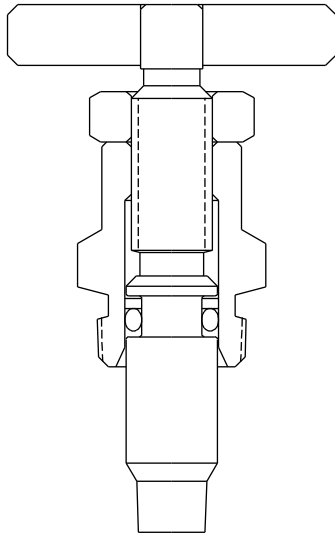
**Flow:** See FLOW CHARACTERISTICS chart.

**Temperature:** -15°F to +400°F (-26°C to +204°C)

**Recommended Filtration:** ISO 20/18/14

**Fluids:** Mineral-based fluids. For other fluid compatibility, consult factory.

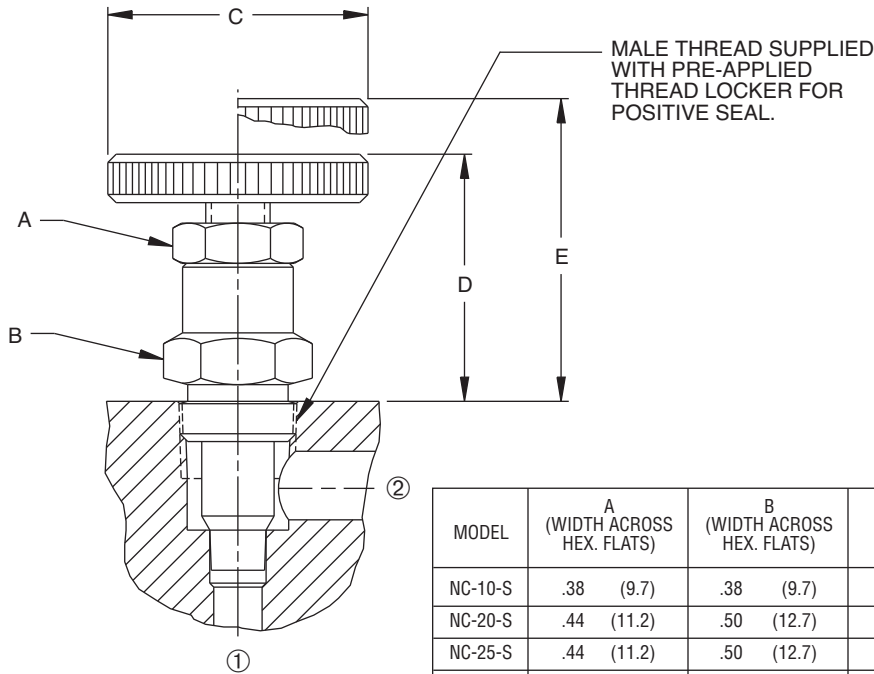
**Cavities/Cavity Tools:** NC\*\*, see page 11.21.1



### FLOW CHARACTERISTICS

MODEL	FLOW MAX. RECOMMENDED GPM (L/min.)	CV FLOW FACTOR (FULL OPEN)
NC-10-S	3.2 (12.1)	.19
NC-20-S	7.0 (26.5)	.43
NC-25-S	13.5 (51.1)	.78
NC-30-S	22.5 (85.2)	1.24
NC-35-S	34.0 (128.7)	1.78

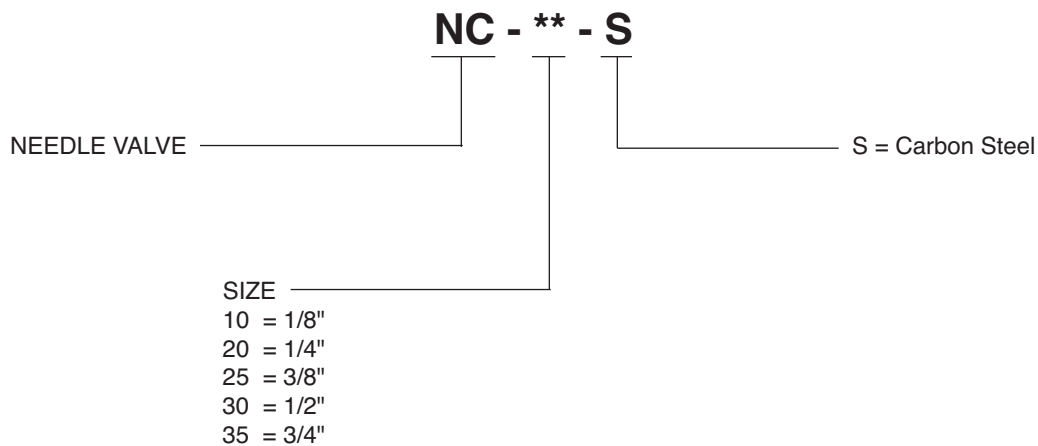
**INSTALLATION DIMENSIONS**



MODEL	A (WIDTH ACROSS HEX. FLATS)	B (WIDTH ACROSS HEX. FLATS)	C (DIA.)	D (CLOSED)	E (FULL OPEN)
NC-10-S	.38 (9.7)	.38 (9.7)	.78 (19.8)	.75 (19.1)	.88 (22.4)
NC-20-S	.44 (11.2)	.50 (12.7)	.78 (19.8)	.86 (21.8)	1.00 (25.4)
NC-25-S	.44 (11.2)	.50 (12.7)	1.03 (26.2)	.97 (24.6)	1.19 (30.2)
NC-30-S	.50 (12.7)	.56 (14.2)	1.03 (26.2)	1.19 (30.2)	1.44 (36.6)
NC-35-S	.69 (17.5)	.75 (19.1)	1.03 (26.2)	1.31 (33.3)	1.63 (41.4)

( ) Parentheses = Millimeters

**HOW TO ORDER**



SOLENOID  
CHECK  
MOTION CONTROL  
FLOW CONTROL  
RELIEF  
PRESSURE CONTROL  
SEQUENCE  
SHUTTLE  
DIRECTIONAL VALVES  
ACCESSORIES  
TECHNICAL DATA