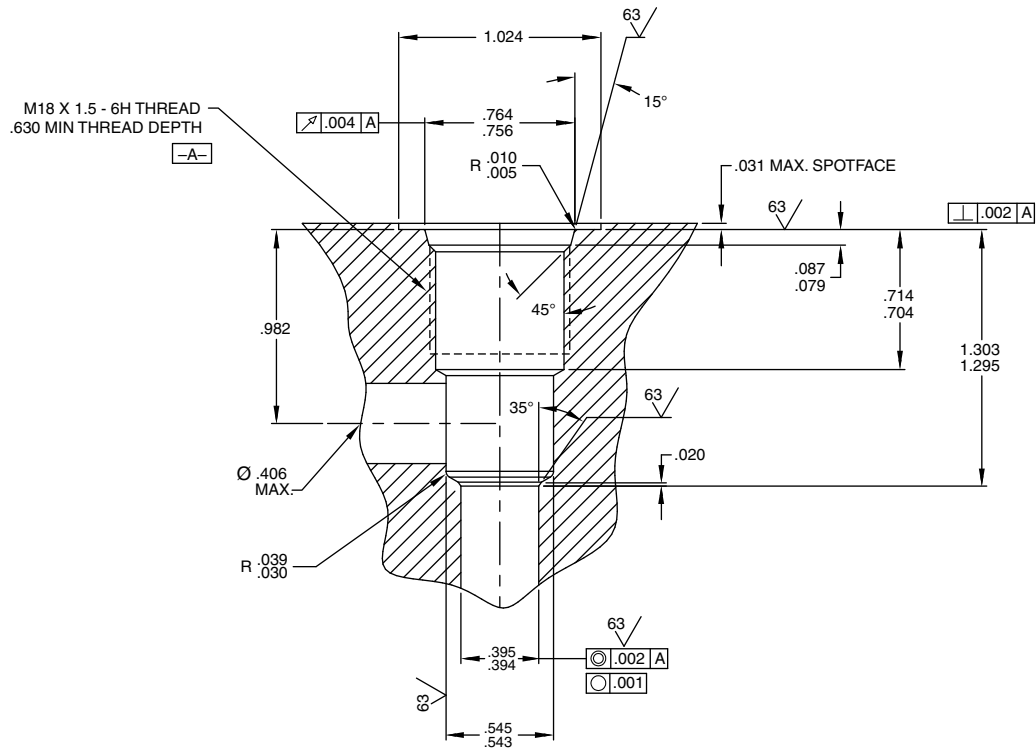


R05-2 Cavity

SERIES 050



R05-2 CAVITY

UNLESS OTHERWISE SPECIFIED

Specifications subject to change,
consult factory.

All dimensions in inches.

2 PLACE DIM ± .01

3 PLACE DIM ± .005

ANGLE ± .5°