

Solenoid Coil Data

SERIES 10

SPECIFICATIONS

Wattage: 10 volts: nominally 19 watts at 68°F./20°C.
12, 20, 24, 120 and 240 volts: nominally 22 watts at 68°F./20°C.

Duty Rating: Continuous up to 100% voltage.

Ambient Operating Temperature: 212°F/100°C.

Encapsulating Material: Thermoplastic Polyester (PET).

A.C. Coils: Internally rectified with a full wave bridge
(no inrush current).

Termination Options: See below and on the next page.

| VOLTS | 19 WATT | | 22 WATT | |
|--------|---------|-----------------------------|---------|-----------------------------|
| | OHMS | INITIAL CURRENT DRAW (AMPS) | OHMS | INITIAL CURRENT DRAW (AMPS) |
| 10 DC | 5.3 | 1.9 | | |
| 12 DC | | | 6.5 | 1.83 |
| 20 DC | | | 18.2 | 1.10 |
| 24 DC | | | 26.1 | .92 |
| 120 AC | | | Δ496 | .18 |
| 240 AC | | | Δ1830 | .18 |

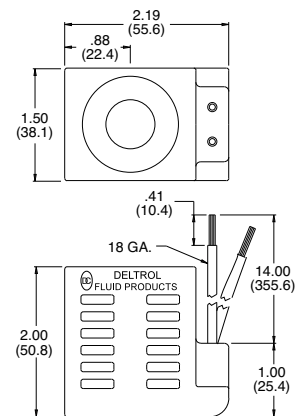
Δ RESISTANCE CANNOT BE MEASURED
ON AC COIL ASSEMBLIES

DOUBLE LEADS

CODE - **D

| VOLTS | PART NO. | LEAD COLOR |
|--------|----------|------------|
| 10 DC | 10163-99 | GREEN |
| 12 DC | 10162-76 | RED |
| 20 DC | 10223-97 | |
| 24 DC | 10162-77 | BLUE |
| 120 AC | 10162-82 | BLACK |
| 240 AC | 10162-83 | YELLOW |

LEAD WIRES: 18/20 GAUGE MEETS SAE J1128 XLPE, TYPE SXL.

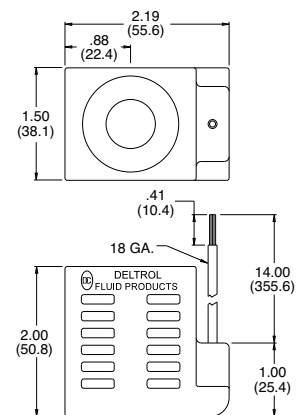


SINGLE LEAD

CODE - **S

| VOLTS | PART NO. | LEAD COLOR |
|-------|----------|------------|
| 10 DC | 10164-12 | GREEN |
| 12 DC | 10164-10 | RED |
| 24 DC | 10164-11 | BLUE |

LEAD WIRES: 18/20 GAUGE MEETS SAE J1128 XLPE, TYPE SXL.

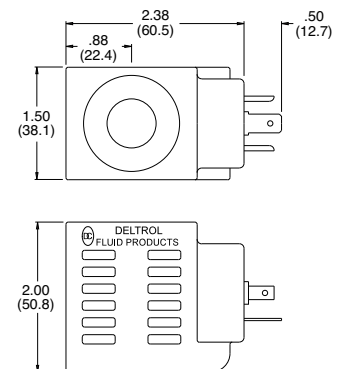


HIRSCHMANN®

CODE - **H

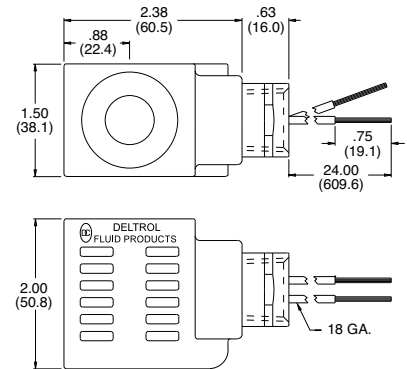
| VOLTS | PART NO. |
|--------|----------|
| 10 DC | 10164-02 |
| 12 DC | 10162-78 |
| 24 DC | 10162-79 |
| 120 AC | 10162-84 |
| 240 AC | 10162-85 |

TERMINATION:
HIRSCHMANN GSR 200
(2 POLE + GROUND APPLIANCE PLUG)
MATING CONNECTOR 43650



CONDUIT (FEMALE 1/2-14 NPT)
CODE - **C

| VOLTS | PART NO. | LEAD COLOR |
|--------|----------|------------|
| 10 DC | 10164-05 | GREEN |
| 12 DC | 10162-80 | RED |
| 24 DC | 10162-81 | BLUE |
| 120 AC | 10162-86 | BLACK |
| 240 AC | 10162-87 | YELLOW |

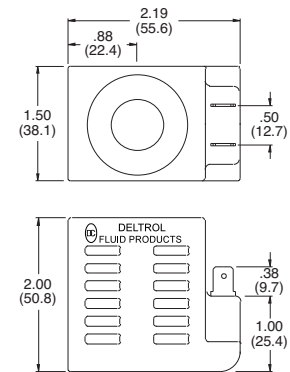


LEAD WIRES: 18/20 GAUGE MEETS SAE J1128 XLPE, TYPE SXL.

DOUBLE SPADE
CODE - **B

| VOLTS | PART NO. |
|--------|----------|
| 10 DC | 10164-08 |
| 12 DC | 10162-91 |
| 20 DC | 10234-53 |
| 24 DC | 10162-92 |
| 120 AC | 10162-90 |
| 240 AC | 10164-09 |

TERMINATION:
1/4" MALE QUICK-CONNECT
PER SAE J858A (TYPE 1B)


SINGLE STUD
CODE - **E

| VOLTS | PART NO. |
|-------|----------|
| 10 DC | 10164-15 |
| 12 DC | 10164-13 |
| 24 DC | 10164-14 |

TERMINATION:
10-32 MALE STUD WITH
2 BRASS NUTS AND 1 STEEL
EXTERNAL TOOTH LOCKWASHER

