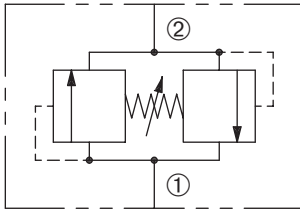


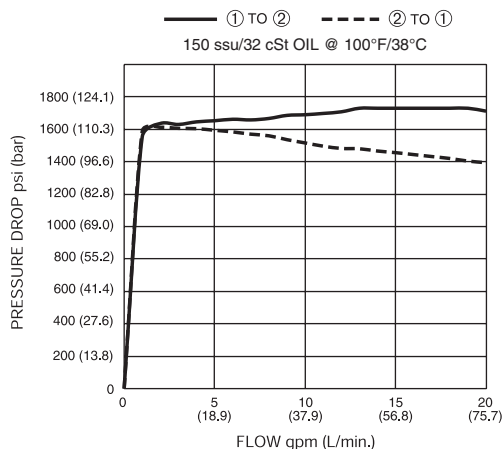
DBRVS-100

Tamper-Resistant, Direct-Acting,
Bi-Directional Relief Valve
5000 psi (345 bar)

SERIES 10



PRESSURE DROP VS. FLOW



DESCRIPTION

An adjustable, bi-directional poppet type cartridge valve designed to limit pressure in hydraulic circuits.

OPERATION

The DBRVS-100 is comprised of two relief valves which prevent flow from ① to ② or ② to ① until the set crack pressure is achieved at either port ① or ②. When the set crack pressure is reached, the poppet unseats allowing flow from ① to ② or ② to ① protecting the circuit from over pressurization.

FEATURES and BENEFITS

- Rapid response to pressure surges.
- Low pressure rise.
- Hardened poppet and seat for long life.
- Hidden adjustment (tamper resistant).
- Industry common cavity.

SPECIFICATIONS

Operating Pressure: 5000 psi (345 bar)

Flow: See PRESSURE DROP VS. FLOW graph.

Nominal Flow 20 gpm (75.7 lpm)

Internal Leakage: 5 in³/min (82cc/min) max. at reset.

Crack Pressure Defined: Determined at .25 gpm (0.9 lpm)

Reseat Pressure: Nominal 80% of crack pressure.

Spring Range: 100 to 5000 psi (7 to 345 bar)

Preset (See HOW TO ORDER)

Temperature: -30° F to +250° F (-35°C to +120° C)

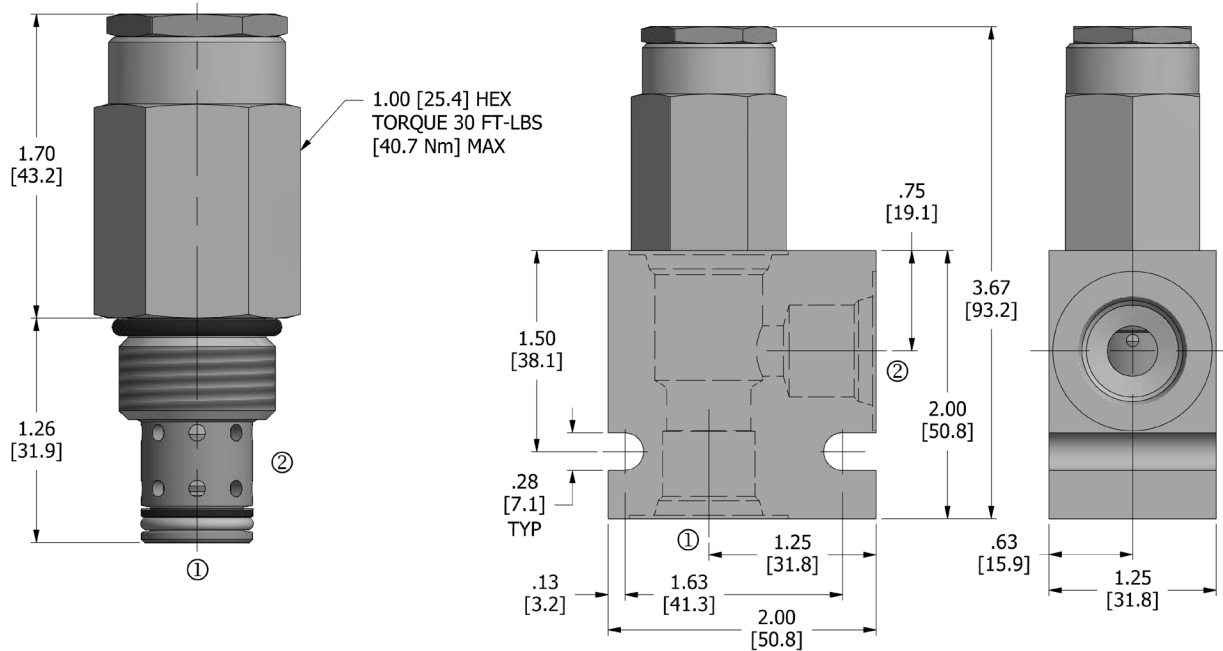
Recommended Filtration: ISO 20/18/14

Fluids: Mineral-based fluids. For other fluid compatibility consult factory.

Cavity/Cavity Tool: 100-2, see page 11.10.2

In-Line Body Material: Anodized 6061T6 aluminum alloy rated at 3000 psi (207 bar).

DIMENSIONS Inches [Millimeters]



HOW TO ORDER



Seals		Seal Kit
N	Buna N	DSK-100-2-N-C
V	Viton	

Spring Range		Preset
50	100 to 5000 psi (7 to 345 bar)	2500 psi (172 bar)

Factory Preset PSI	
omit	Standard preset
****	example: 2550 = 2550 psi

Porting†		In-Line Body w/o Cartridge
omit	Cartridge only	
2N	1/4 PTF	B-100-2-2N
3N	3/8 PTF	B-100-2-3N
6T	SAE 6	B-100-2-6T
8T	SAE 8	B-100-2-8T

† Other options available – consult factory

Valve and In-Line Body are supplied individually and need to be assembled. For a completed assembly consult the factory.

All variations may not be configurable. Minimum order quantities may be required on other models. Contact Deltrol Fluid Products for complete details.