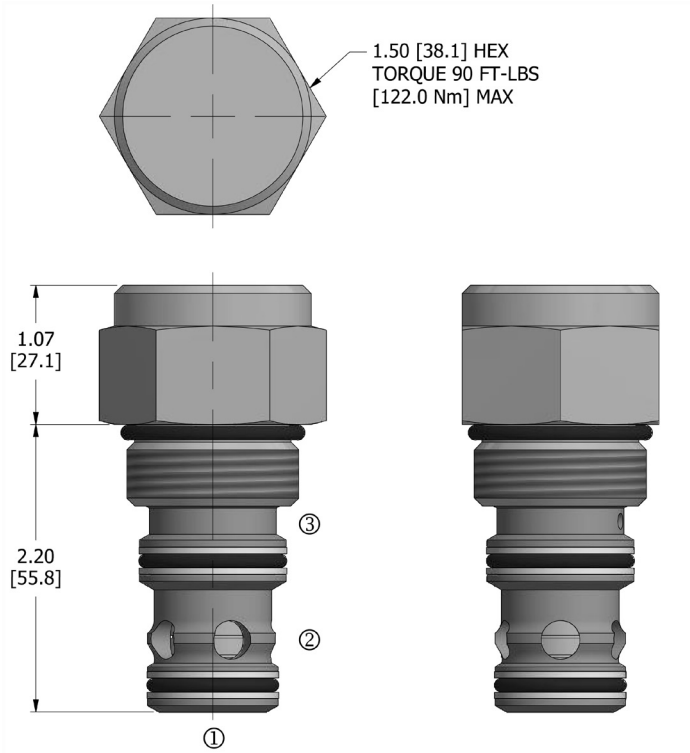


DIMENSIONS Inches [Millimeters]



HOW TO ORDER

DDPS - **160** - ***** - *******

Differential Pressure Sensing Valve Cavity Seals Differential Pressure

Seals		Seal Kit
N	Buna N	
V	Viton	

Differential Pressure	
5	5 psi (0.3 bar)
10 †	10 psi (0.7 bar)
20	20 psi (1.4 bar)
40	40 psi (2.8 bar)
80	80 psi (5.5 bar)
160	160 psi (11.0 bar)

† Custom setting - may require minimum order quantity and be subject to extended leadtime.
All variations may not be configurable. Minimum order quantities may be required on other models. Contact Deltrol Fluid Products for complete details.

SOLENOID

CHECK

MOTION CONTROL

FLOW CONTROL

RELIEF

PRESSURE CONTROL

SEQUENCE

SHUTTLE

DIRECTIONAL VALVES

HAND PUMPS

TECHNICAL DATA