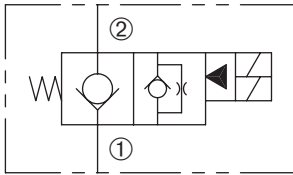


# DDSV-080-2NCP

Normally-Closed, Two-Way, Two-Position,  
Dual-Coil, Pilot-Operated Solenoid Valve

## SERIES 8



### DESCRIPTION

A cartridge valve designed with positive shut off, low leakage, to be used in load holding applications where system requires redundant methods of operation.

### OPERATION

When de-energized, the DDSV-080-2NCP acts as a check valve, allowing flow from ① to ②, while blocking flow from ② to ①.

When either the top primary or bottom redundant coil is energized, the poppet lifts to open the ② to ① flow path.

### FEATURES and BENEFITS

- Continuous-duty solenoid.
- Efficient wet-armature construction.
- Hardened poppet and seat for long life.
- Cartridges are voltage interchangeable.
- Optional coil voltages and terminations.
- Filter screen standard.
- Industry common cavity.

### SPECIFICATIONS

**Operating Pressure:** 3000 psi (207 bar)

**Flow:** See PRESSURE DROP VS. FLOW graph.  
Nominal flow 5 gpm (18.9 lpm)

**Internal Leakage:** 5 drops/min max. at 3000 psi (207 bar)

**Temperature:** -30°F to +250°F (-35°C to +120°C)

**Coil:** Series 8: K-Coil see page 1.91.1; S-Coil see page 1.92.1.

**Coil Duty Rating:** Continuous from 85% to 110% of rated voltage.

**Current Draw:** 12 VDC is 1.3 amps.

**Minimum Pull-In Voltage:** 85% of rated voltage at 3000 psi (207 bar)

**Response Time:** 80% of final change of state with 100% voltage supplied at 100% of nominal flow rating.

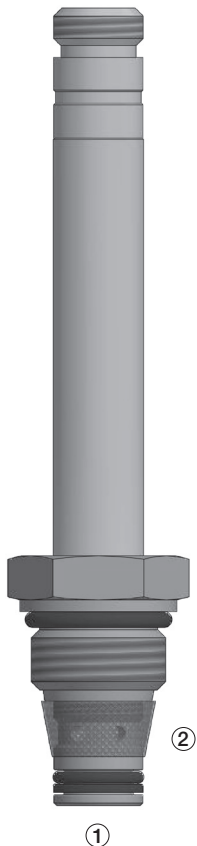
**Pull-In:** 12 VDC 16 m. sec. **Drop-Out:** 12 VDC 18 m. sec.

**Recommended Filtration:** Critical Application – ISO 17/15/13  
Non-Critical Application – ISO 20/18/14

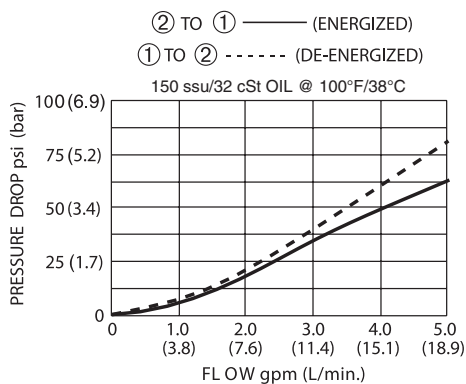
**Fluids:** Mineral-based fluids. For other fluid compatibility, consult factory.

**Cavity/Cavity Tool:** 080-2, see page 11.08.2

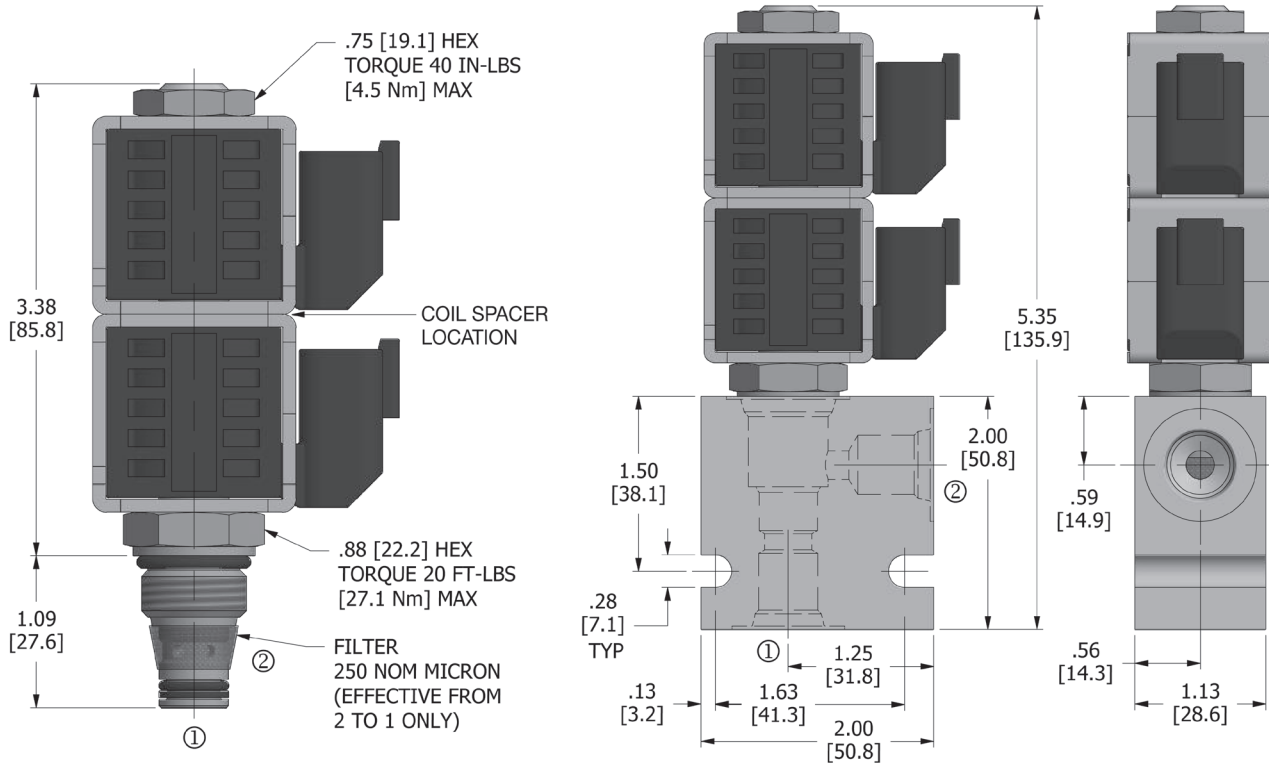
**In-Line Body Material:** Anodized 6061T6 aluminum alloy rated at 3000 psi (207 bar).



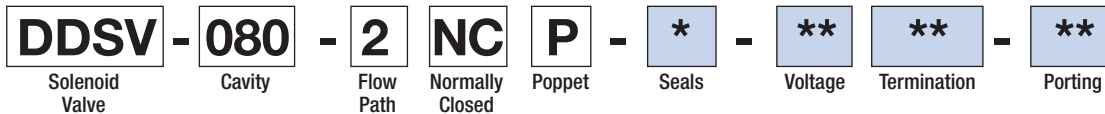
### PRESSURE DROP VS. FLOW



## DIMENSIONS Inches [Millimeters]



## HOW TO ORDER



Seals		Seal Kit
<b>N</b>	Buna N	DSK-080-2-N-A
<b>V</b>	Viton	DSK-080-2-V-A

Voltage†	
omit	Cartridge only w/nut
<b>D1</b>	DC 12 Volt
<b>D2</b>	DC 24 Volt
<b>D9</b>	DC 20 Volt
<b>D10</b>	DC 10 Volt
<b>A5</b>	AC 120 Volt
<b>A6</b>	AC 240 Volt

Termination†		
K-Coil External Frame	S-Coil Internal Frame	For internal diode – consult factory
omit	<b>XS</b>	Coil Spacer only
<b>DE</b>	<b>DS</b>	Dual Lead
<b>SE</b>	<b>SS</b>	Single Lead
<b>BE</b>	<b>BS</b>	Dual Spade
<b>AE</b>	<b>AS</b>	Single Spade
<b>EE</b>	<b>ES</b>	Single Stud
<b>UE</b> <small>IP69K</small>	<b>US</b>	Deutsch
<b>PE</b> <small>IP69K</small>		Metri-Pack
<b>JE</b> <small>IP69K</small>		Amp Junior Timer
	<b>HS</b>	DIN 43650
	<b>C</b>	Conduit <small>Duty Rating: Intermittent</small>
10234-41	10234-41	<b>coil retainer nut</b>
n/a	10172-60	<b>coil spacer</b>

Porting†		
omit	Cartridge only	In-Line Body w/o Cartridge
<b>2N</b>	1/4 PTF	B-080-2-2N
<b>3N</b>	3/8 PTF	B-080-2-3N
<b>6T</b>	SAE 6	B-080-2-6T
<b>8T</b>	SAE 8	B-080-2-8T

† Other options available – consult factory

Valve, Coil, and In-Line Body are supplied individually and need to be assembled. For a completed assembly consult the factory.

All variations may not be configurable. Minimum order quantities may be required on other models. Contact Deltrol Fluid Products for complete details.