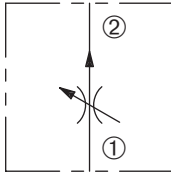


DFRA-080-2

Adjustable, Pressure-Compensated
Flow Regulator Valve

SERIES 8

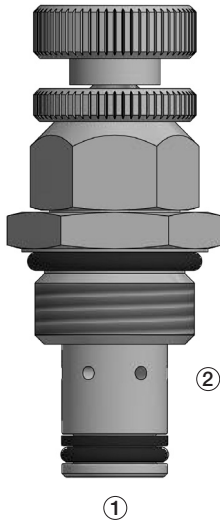


DESCRIPTION

An adjustable cartridge valve designed to regulate flow regardless of load pressure. This valve is a restrictive-type flow regulator designed for low flow applications.

OPERATION

The DFRA-080-2 maintains a constant flow within specified accuracies from ① to ② regardless of downstream load pressure. When flow produces a minimum predetermined pressure differential across the compensator spool control orifice, the spool shifts against the spring force to throttle the flow and maintain the flow setting. The cartridge's flow may be adjusted -50% of maximum setting. Reverse flow is not regulated.



FEATURES and BENEFITS

- Pressure-compensated.
- Quiet response.
- Low flow capabilities.
- Aluminum knob and disc nut.
- Adjustable flow -50% of maximum setting.
- Adjustment may be locked in place.
- Industry common cavity.

SPECIFICATIONS

Operating Pressure: 3000 psi (207 bar)

Flow: Ranges from .15 to 2 gpm (0.6 to 7.6 lpm). A minimum pressure differential of 100 psid is required to operate valve. (See ordering table)

Flow may be adjusted -50% of maximum setting.

Flow Tolerances: Flows .15 gpm to 1.5 gpm (0.6 to 5.7 lpm) $\pm 15\%$
Flows over 1.5 gpm (5.7 lpm.) $\pm 10\%$

Temperature: -30°F to +250°F (-35°C to +120°C)

Recommended Filtration: ISO 17/15/13

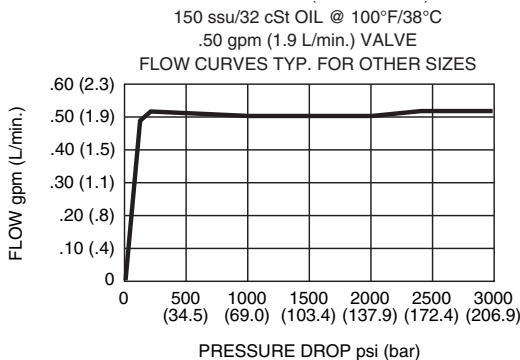
Fluids: Mineral-based fluids.

For other fluid compatibility, consult factory.

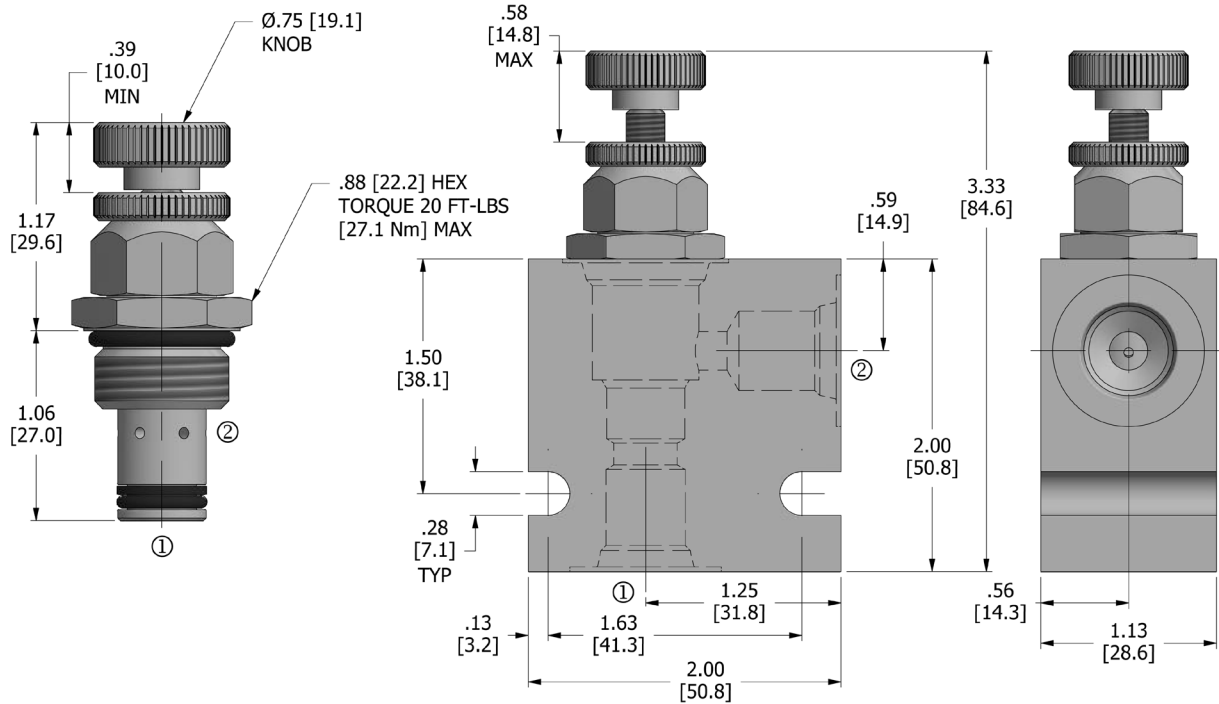
Cavity/Cavity Tool: 080-2, see page 11.08.2

In-Line Body Material: Anodized 6061T6 aluminum alloy rated at 3000 psi (207 bar).

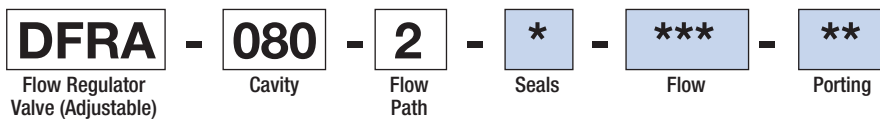
PRESSURE DROP VS. FLOW



DIMENSIONS Inches [Millimeters]



HOW TO ORDER



Seals		Seal Kit
N	Buna N	DSK-080-2-N-A
V	Viton	DSK-080-2-V-A

Flow - Maximum	
015	.15 gpm (.57 lpm)
020	.20 gpm (.76 lpm)
045	.45 gpm (1.70 lpm)
065	.65 gpm (2.46 lpm)
100	1.00 gpm (3.79 lpm)
150	1.50 gpm (5.68 lpm)
200	2.00 gpm (7.57 lpm)

Porting [†]		In-Line Body w/o Cartridge
omit	Cartridge only	
2N	1/4 PTF	B-080-2-2N
3N	3/8 PTF	B-080-2-3N
4T	SAE 4	B-080-2-4T
6T	SAE 6	B-080-2-6T

[†] Other options available – consult factory

Valve and In-Line Body are supplied individually and need to be assembled. For a completed assembly consult the factory.

All variations may not be configurable. Minimum order quantities may be required on other models. Contact Deltrol Fluid Products for complete details.