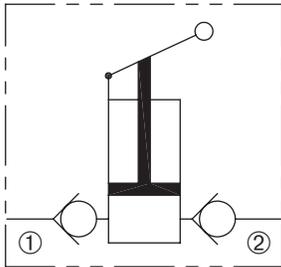


DHP-100

Hand Pump

SERIES 10



DESCRIPTION

A self-contained cartridge style hand pump designed to deliver flow when the operator is pushed. The inlet and outlet checks are integral to the cartridge.

OPERATION

When the operator is pushed, the DHP-100 delivers nominal flow of 0.5 cu. in. to the ② port. When the operator is pulled, DHP-100 draws fluid from the ① port.

FEATURES and BENEFITS

- Cast Beam for heavy duty applications.
- Checks are integral to the cartridge.
- Hardened parts for long life.
- Beam rotates 360° for flexible installation and operation.
- Industry common cavity.

SPECIFICATIONS

Maximum Pressure: 3000 psi (207 bar)

Operating Pressure: 2000 psi (138 bar)

Flow: 0.5 cu. in. @ 45° rotation.

Hand Effort: 80 lbs. @ 1500 psi (103 bar) - 16 in. (406.4) long handle.

Internal Leakage: 2 drops/min max. at 2000 psi (138 bar)

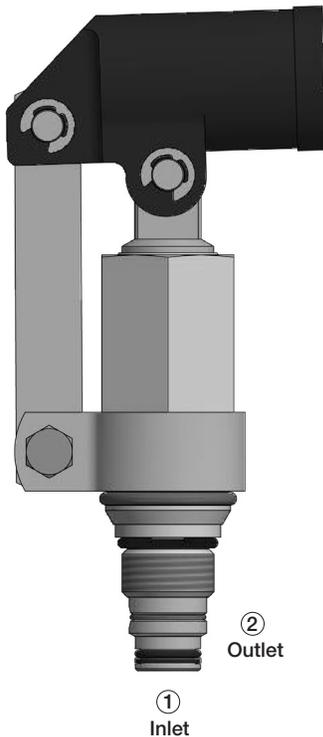
Temperature: -30°F to +250°F (-35°C to +120°C)

Recommended Filtration: ISO 17/15/13

Fluids: Mineral-based fluids. For other fluid compatibility, consult factory.

Cavity/Cavity Tool: 100-2, see page 11.10.2

In-Line Body Material: Anodized 6061T6 aluminum alloy rated at 3000 psi (207 bar).



SOLENOID

CHECK

MOTION CONTROL

FLOW CONTROL

RELIEF

PRESSURE CONTROL

SEQUENCE

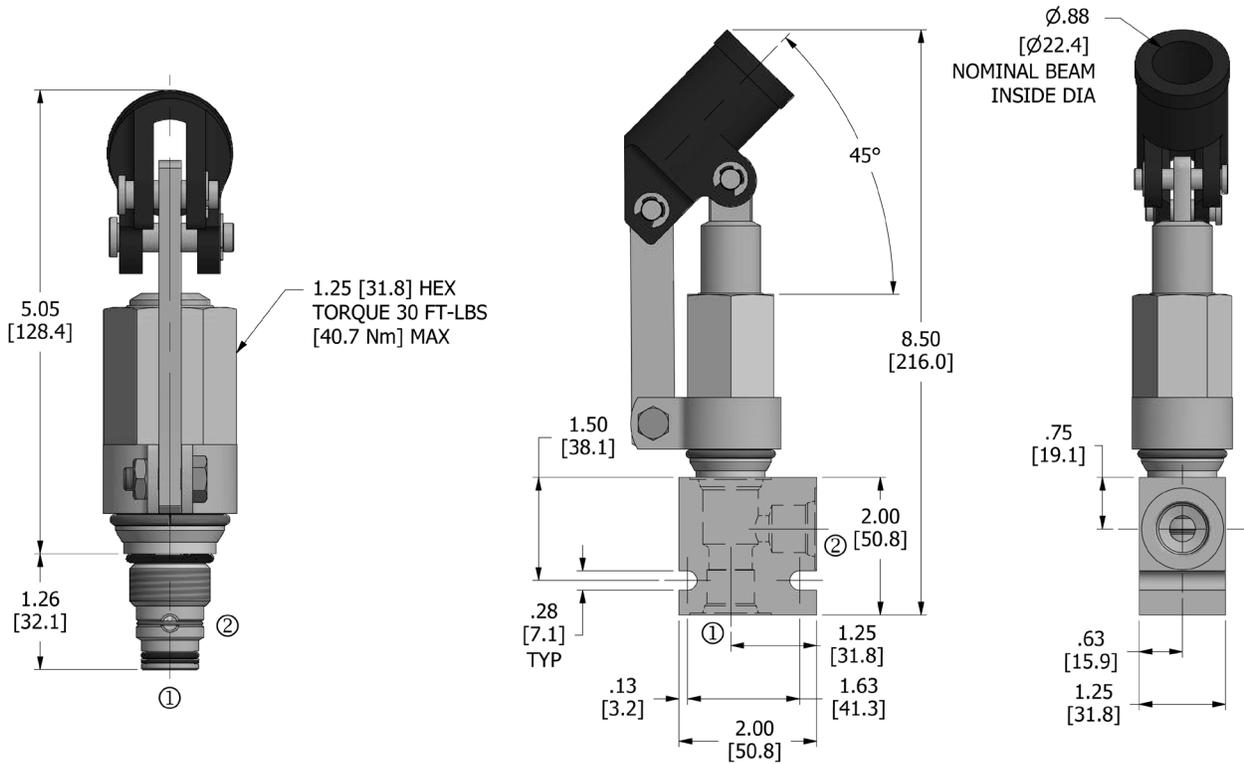
SHUTTLE

DIRECTIONAL VALVES

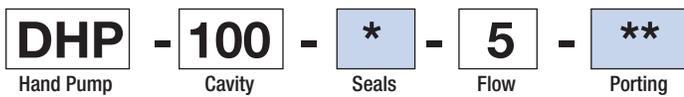
HAND PUMPS

TECHNICAL DATA

DIMENSIONS Inches [Millimeters]



HOW TO ORDER



Seals		Seal Kit
N	Buna N	DSK-100-2-N-A
V	Viton	DSK-100-2-V-A

Flow (Volume per stroke)	
5	0.5 cu. in. @ 45° rotation

Porting†		
	Cartridge only	In-Line Body w/o Cartridge
omit		
2N	1/4 PTF	B-100-2-2N
3N	3/8 PTF	B-100-2-3N
6T	SAE 6	B-100-2-6T
8T	SAE 8	B-100-2-8T

† Other options available – consult factory

Valve and In-Line Body are supplied individually and need to be assembled. For a completed assembly consult the factory.

All variations may not be configurable. Minimum order quantities may be required on other models. Contact Deltrol Fluid Products for complete details.