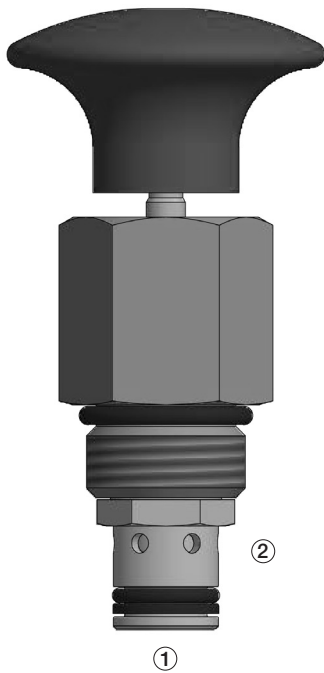
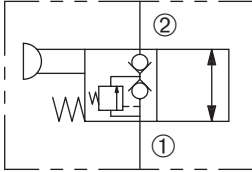


# DMP-080-2NCP

Manual Pull, Two-Way,  
Normally Closed Valve

## SERIES 8



### DESCRIPTION

A manual operated pull style cartridge valve designed with positive shut off to be used in load holding applications.

### OPERATION

The DMP-080-2NCP blocks flow from ② to ①, or ① to ②. When the knob is pulled, fluid flows from ② to ①, or ① to ②. The cartridge allows flow from ① to ② after overcoming the spring force of 450 PSI (31 Bar).

### FEATURES and BENEFITS

- Large red knob for easy identification and use.
- Chrome alloy ball for long life.
- Industry common cavity.

### SPECIFICATIONS

**Operating Pressure:** 3000 psi (207 bar)

**Flow:** See PRESSURE DROP VS. FLOW graph.

Nominal flow 6 gpm (22.7 lpm)

**Internal Leakage:** 5 drops/min max. at 3000 psi (207 bar)

**Temperature:** -30°F to +250°F (-35°C to +120°C)

**Recommended Filtration:** Critical Application – ISO 17/15/13

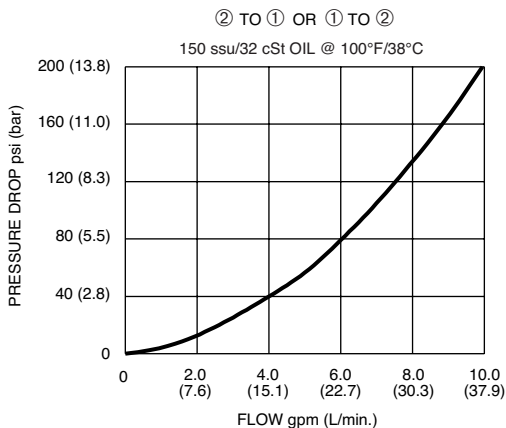
Non-Critical Application – ISO 20/18/14

**Fluids:** Mineral-based fluids. For other fluid compatibility, consult factory.

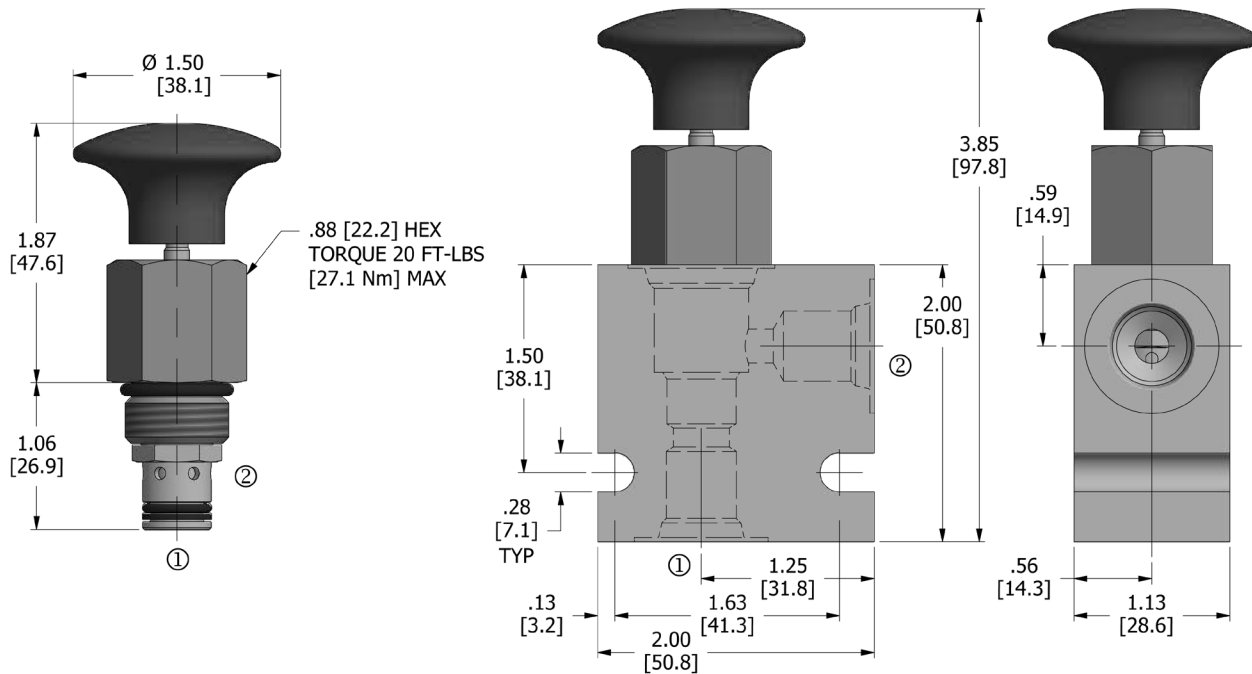
**Cavity/Cavity Tool:** 080-2, see page 11.08.2

**In-Line Body Material:** Anodized 6061T6 aluminum alloy rated at 3000 psi (207 bar).

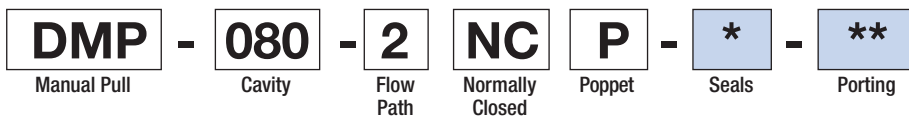
### PRESSURE DROP VS. FLOW



## DIMENSIONS Inches [Millimeters]



## HOW TO ORDER



Seals		Seal Kit
<b>N</b>	Buna N	DSK-080-2-N-A
<b>V</b>	Viton	DSK-080-2-V-A

Porting <sup>†</sup>		In-Line Body w/o Cartridge
omit	Cartridge only	
<b>2N</b>	1/4 PTF	B-080-2-2N
<b>3N</b>	3/8 PTF	B-080-2-3N
<b>4T</b>	SAE 4	B-080-2-4T
<b>6T</b>	SAE 6	B-080-2-6T

<sup>†</sup> Other options available – consult factory

Valve and In-Line Body are supplied individually and need to be assembled. For a completed assembly consult the factory.

All variations may not be configurable. Minimum order quantities may be required on other models. Contact Deltrol Fluid Products for complete details.