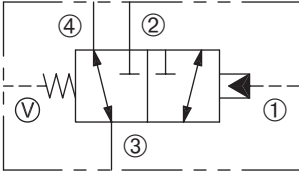


DPOD2-100-3

Pilot-Operated, Externally Vented,
Three-Way, Two-Position, Directional Control Valve

SERIES 10



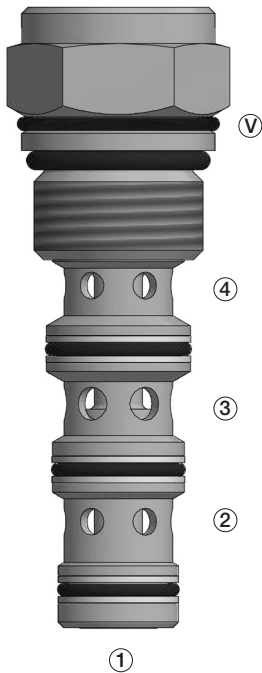
DESCRIPTION

A cartridge valve designed as a pilot-operated, three-way, two-position, spool-type, directional control valve.

OPERATION

With no pilot signal at port ①, port ② is blocked and flow is allowed between port ③ and ④. With the required pilot signal applied at port ①, the valve shifts to allow flow between ports ③ and ② while blocking flow at port ④.

The bias spring returns the spool to its original position when the pilot signal is removed.



FEATURES and BENEFITS

- Hardened spool and sleeve for long life.
- Industry common cavity.

SPECIFICATIONS

Operating Pressure: 3000 psi (207 bar)

Flow: See PRESSURE DROP VS. FLOW graph.

Nominal Flow 10 gpm (38.9 lpm)

Internal Leakage: 5 in³/min (82cc/min) max. at 3000 psi (207 bar)

Pilot Pressure: 125 psi (8.6 bar)

Temperature: -30°F to +250°F (-35°C to +120°C)

Recommended Filtration: ISO 17/15/13

Fluids: Mineral-based fluids. For other fluid compatibility, consult factory.

Cavity/Cavity Tool: 100-4, see page 11.10.4

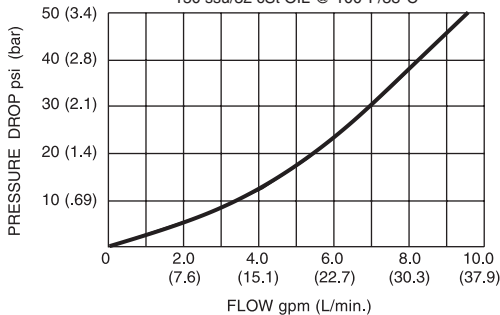
In-Line Body Material: Anodized 6061T6 aluminum alloy rated at 3000 psi (207 bar).

PRESSURE DROP VS. FLOW

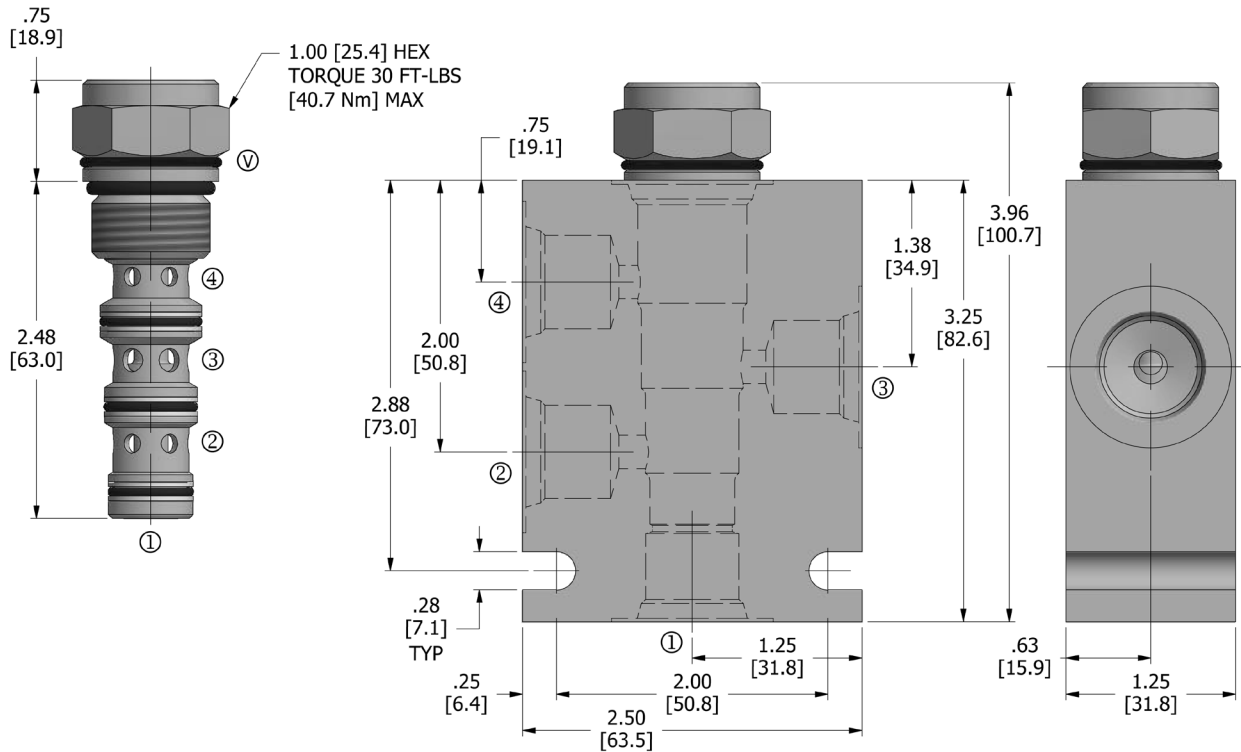
PORT ③ TO ④ - (FREE FLOW)

OR
PORT ③ TO ② - (PILOTED OPEN)

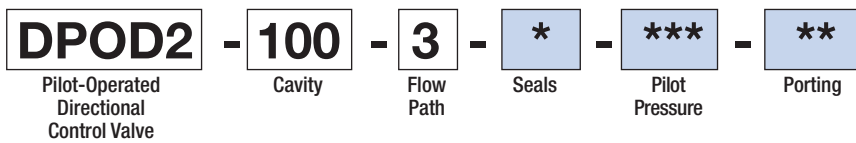
150 ssu/32 cSt OIL @ 100°F/38°C



DIMENSIONS Inches [Millimeters]



HOW TO ORDER



Seals		Seal Kit	Vent Seal
N	Buna N	DSK-100-4-N-A	(1) 10028-46
V	Viton		

Pilot Pressure (Shift Pressure)	
125	125 psi (8.6 bar)

Porting†		In-Line Body w/o Cartridge
omit	Cartridge only	
2N	1/4 PTF	B-100-4-2N
3N	3/8 PTF	B-100-4-3N
6T	SAE 6	B-100-4-6T
8T	SAE 8	B-100-4-8T

† Other options available – consult factory

Valve and In-Line Body are supplied individually and need to be assembled. For a completed assembly consult the factory.

All variations may not be configurable. Minimum order quantities may be required on other models. Contact Deltrol Fluid Products for complete details.