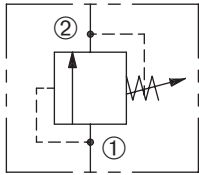


DPOR2-100

Adjustable, Pilot-Operated
Relief Valve
5000 psi (345 bar)

SERIES 10

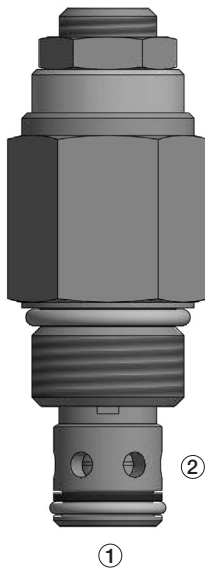


DESCRIPTION

An adjustable, pilot-operated spool type cartridge valve designed to limit pressure in hydraulic circuits.

OPERATION

The DPOR2-100 prevents flow from ① to ② until pressure at ① exceeds the set crack pressure and opens the pilot section. The pilot flow creates a pressure differential across the spool which causes the valve to open allowing flow from ① or ② protecting the circuit from over pressurization.



FEATURES and BENEFITS

- Rapid response to pressure surges.
- Low pressure rise.
- Accurate pilot-operated design.
- Hardened poppet and seat for long life.
- Hidden adjustment (tamper resistant) option.
- Aluminum knob and disc nut option.
- Adjustment may be locked in place.
- Industry common cavity.

SPECIFICATIONS

Operating Pressure: 5000 psi (345 bar)

Flow: See PRESSURE DROP VS. FLOW graph.

Nominal Flow 30 gpm (113.6 lpm)

Internal Leakage: 5 in³/min (82cc/min) max. at reseal.

Crack Pressure Defined: Determined at .25 gpm (0.9 lpm)

Reseat Pressure: Nominal 80% of crack pressure.

Spring Range: 100 to 5000 psi (7 to 345 bar)

Preset (See HOW TO ORDER)

Temperature: -30°F to +250°F (-35°C to +120°C).

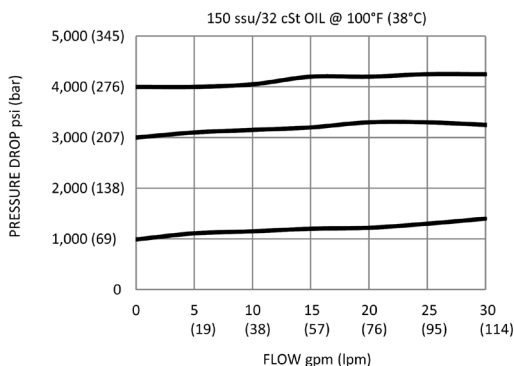
Recommended Filtration: ISO 20/18/14

Fluids: Mineral-based fluids. For other fluid compatibility, consult factory.

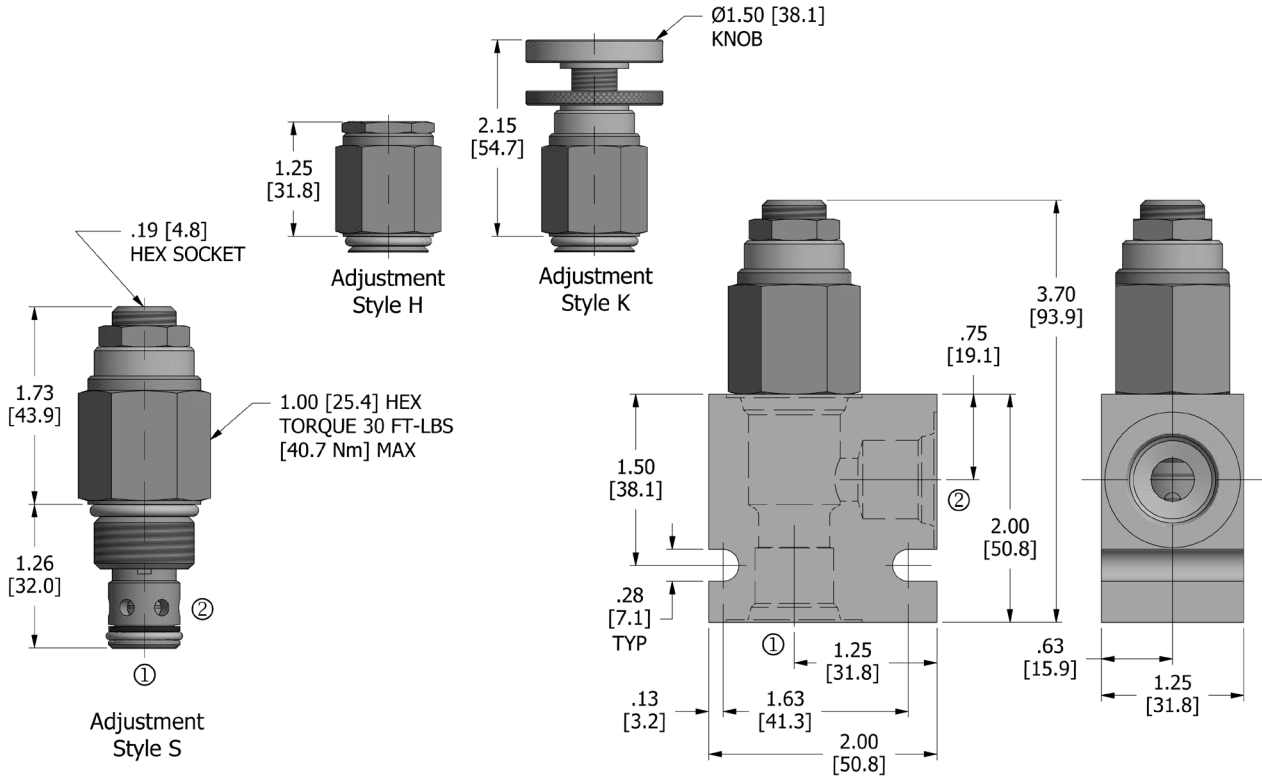
Cavity/Cavity Tool: 100-2, see page 11.10.2

In-Line Body Material: Anodized 6061T6 aluminum alloy rated at 3000 psi (207 bar).

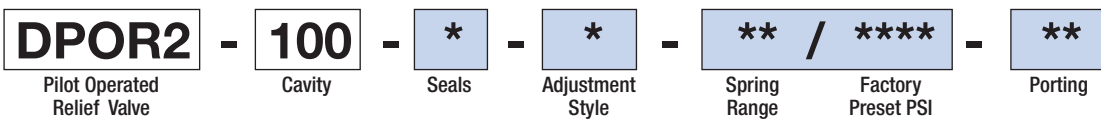
PRESSURE DROP VS. FLOW



DIMENSIONS Inches [Millimeters]



HOW TO ORDER



Seals		Seal Kit
U	Urethane	

Adjustment Style	
H	Hidden
K	Knob
S	Screw

Spring Range		Preset
10	100 to 1000 psi (7 to 69 bar)	200 psi (14 bar)
20	300 to 2000 psi (21 to 138 bar)	1000 psi (69 bar)
50	300 to 5000 psi (21 to 345 bar)	2000 psi (138 bar)

Factory Preset PSI	
omit	Standard preset
****	example: 2550 = 2550 psi

Porting [†]		In-Line Body w/o Cartridge
omit	Cartridge only	
2N	1/4 PTF	B-100-2-2N
3N	3/8 PTF	B-100-2-3N
6T	SAE 6	B-100-2-6T
8T	SAE 8	B-100-2-8T

[†] Other options available – consult factory

Valve and In-Line Body are supplied individually and need to be assembled. For a completed assembly consult the factory.

All variations may not be configurable. Minimum order quantities may be required on other models. Contact Deltrol Fluid Products for complete details.

