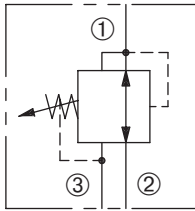


DPR-100

Adjustable, Direct-Acting,
Pressure Reducing/Relieving Valve

SERIES 10



DESCRIPTION

An adjustable, direct-acting spool cartridge valve designed to regulate pressure in secondary circuits.

OPERATION

The DPR-100 in the steady state will allow bi-directional flow between ① and ② with spring chamber ③ vented. When the preset pressure at ① is achieved, the spool throttles to regulate pressure at ① by restricting flow at ②.

FEATURES and BENEFITS

- Variety of pressure ranges.
- Hardened precision spool and sleeve for long life.
- Hidden adjustment (tamper resistant) option.
- Aluminum knob and disc nut option.
- Adjustment may be locked in place.
- Industry common cavity.

SPECIFICATIONS

Operating Pressure: 3000 psi (207 bar)

Flow: See PRESSURE DROP VS. FLOW graph.

Nominal Flow 4 gpm (15.1 lpm)

Internal Leakage: 5 in³/min (82 cc/min) max. at 3000 psi (207 bar)

Spring Range: 50 to 2400 psi (3 to 166 bar)

Preset (See HOW TO ORDER)

Temperature: -30°F to +250°F (-35°C to +120°C)

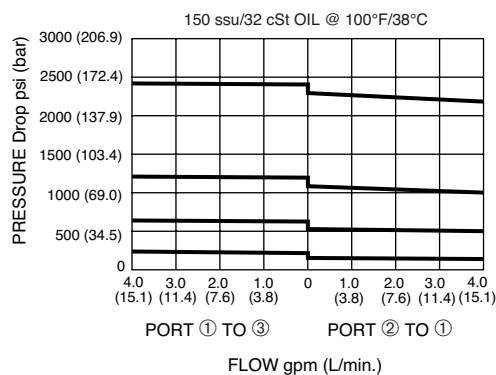
Recommended Filtration: ISO 20/18/14

Fluids: Mineral-based fluids. For other fluid compatibility, consult factory.

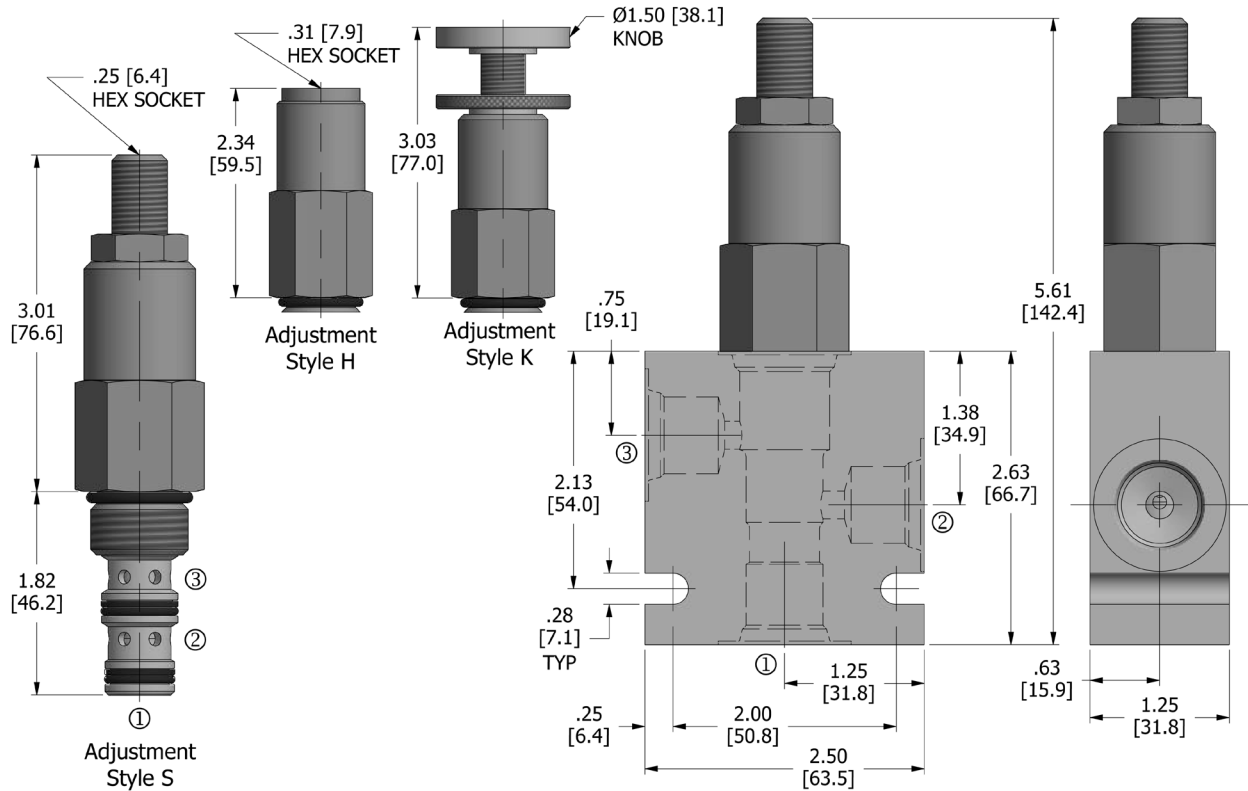
Cavity/Cavity Tool: 100-3 see page 11.10.3

In-Line Body Material: Anodized 6061T6 aluminum alloy rated at 3000 psi (207 bar).

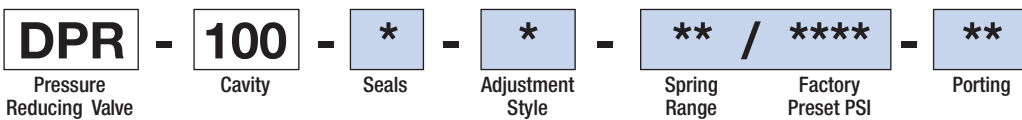
PRESSURE DROP VS. FLOW



DIMENSIONS Inches [Millimeters]



HOW TO ORDER



Seals		Seal Kit
N	Buna N	DSK-100-3-N-C
V	Viton	

Adjustment Style	
H	Hidden
K	Knob
S	Screw

Spring Range		Preset
2	50 to 200 psi (3 to 14 bar)	150 psi (10 bar)
9	100 to 900 psi (7 to 62 bar)	450 psi (31 bar)
24	700 to 2400 psi (48 to 166 bar)	1800 psi (124 bar)

Factory Preset PSI	
omit	Standard preset
****	example: 2000 = 2000 psi

Porting†		In-Line Body w/o Cartridge
omit	Cartridge only	
2N	1/4 PTF	B-100-3-2N
3N	3/8 PTF	B-100-3-3N
6T	SAE 6	B-100-3-6T
8T	SAE 8	B-100-3-8T

† Other options available – consult factory

Valve and In-Line Body are supplied individually and need to be assembled. For a completed assembly consult the factory.

All variations may not be configurable. Minimum order quantities may be required on other models. Contact Deltrol Fluid Products for complete details.