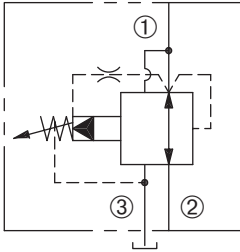


DPRR-080

Adjustable, Pilot-Operated,
Pressure Reducing/Relieving Valve
5000 psi (345 bar)

SERIES 8



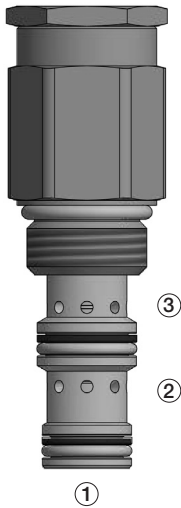
DESCRIPTION

An adjustable, direct-acting spool cartridge valve designed to regulate pressure in secondary circuits.

OPERATION

The DPRR-080 in steady state will allow bi-directional flow between ① and ② with spring chamber ③ vented. When the preset pressure at ① is achieved, the spool throttles to regulate pressure at ① by restricting flow at ②.

The valve will relieve ① to ③.



FEATURES and BENEFITS

- Hardened precision spool and sleeve for long life.
- Variety of pressure ranges.
- High accuracy of pilot operated design.
- Adjustment prevents spring from going solid.
- Industry common cavity.

SPECIFICATIONS

Operating Pressure: 5000 psi (345 bar)

Flow: See PRESSURE DROP VS. FLOW graph
Nominal flow 5 gpm (18.9 lpm)

Internal Leakage: 5 in³/min (82 cc/min) max. at 3000 psi (207 bar)

Spring Range: 300 to 5000 psi (21 to 345 bar)
Preset (See HOW TO ORDER)

Temperature: -30°F to +250°F (-35°C to +120°C)

Recommended Filtration: ISO 19/15

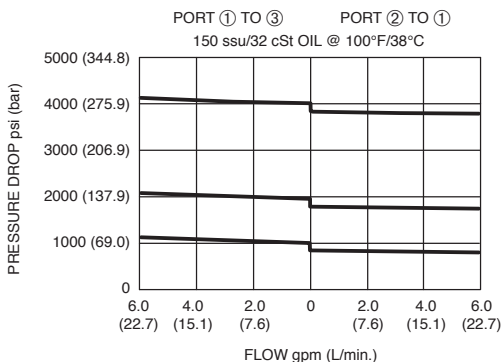
Fluids: Mineral-based fluids.

For other fluid compatibility, consult factory.

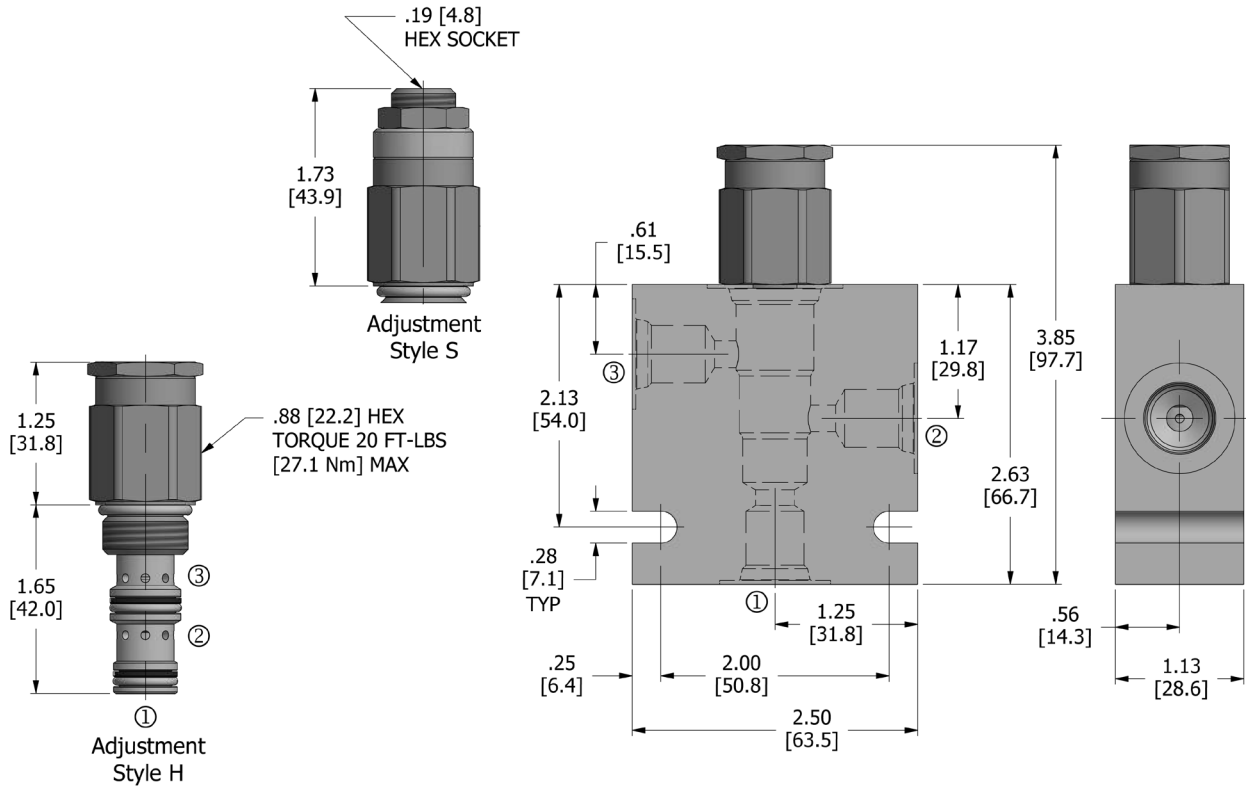
Cavity/Cavity Tool: 080-3, see page 11.08.3

In-Line Body Material: Anodized 6061T6 aluminum
allow rated at 3000 psi (207 bar).

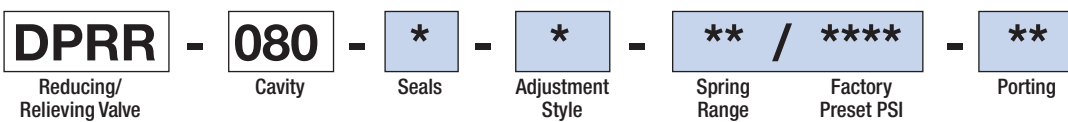
PRESSURE DROP VS. FLOW



DIMENSIONS Inches [Millimeters]



HOW TO ORDER



Seals		Seal Kit
N	Buna N	

Adjustment Style	
H	Hidden
S	Screw

Spring Range		Preset
20	300 to 2000 psi (21 to 138 bar)	300 psi (21 bar)
40	1800 to 4000 psi (124 to 276 bar)	3000 psi (207 bar)
50	2000 to 5000 psi (138 to 345 bar)	4000 psi (276 bar)

Factory Preset PSI	
****	example: 2550 = 2550 psi
300	300 psi
3000	3000 psi
4000	4000 psi

Porting†		In-Line Body w/o Cartridge
omit	Cartridge only	
2N	1/4 PTF	B-080-3-2N
3N	3/8 PTF	B-080-3-3N
4T	SAE 4	B-080-3-4T
6T	SAE 6	B-080-3-6T

† Other options available – consult factory

Valve and In-Line Body are supplied individually and need to be assembled. For a completed assembly consult the factory.

All variations may not be configurable. Minimum order quantities may be required on other models. Contact Deltrol Fluid Products for complete details.

