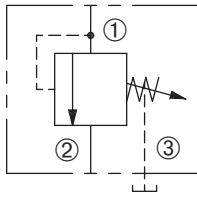


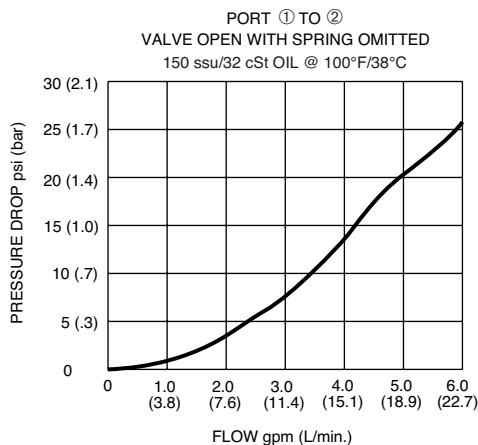
# DPS-100

Adjustable, Direct-Acting  
Externally-Drained Sequence Valve

## SERIES 10



## PRESSURE DROP VS. FLOW



## DESCRIPTION

An adjustable, direct-acting spool cartridge valve designed to direct oil to a circuit when a predetermined pressure has been reached.

## OPERATION

The DPS-100 in the steady state blocks flow at ① and ② with spring chamber ③ drained. When the preset pressure at ① is achieved, the spool shifts to allow flow from ① to ②.

## FEATURES and BENEFITS

- Variety of pressure ranges.
- Hardened precision spool and sleeve for long life.
- Aluminum knob and disc nut option.
- Adjustment may be locked in place.
- Industry common cavity.

## SPECIFICATIONS

**Operating Pressure:** 3000 psi (207 bar)

**Flow:** See PRESSURE DROP VS. FLOW graph.

Nominal Flow 6 gpm (22.7 lpm)

**Internal Leakage:** 5 in<sup>3</sup>/min (82 cc/min) max. at 3000 psi (207 bar)

**Spring Range:** 50 to 2400 psi (3 to 166 bar)

Preset (See HOW TO ORDER)

**Temperature:** -30°F to +250°F (-35°C to +120°C)

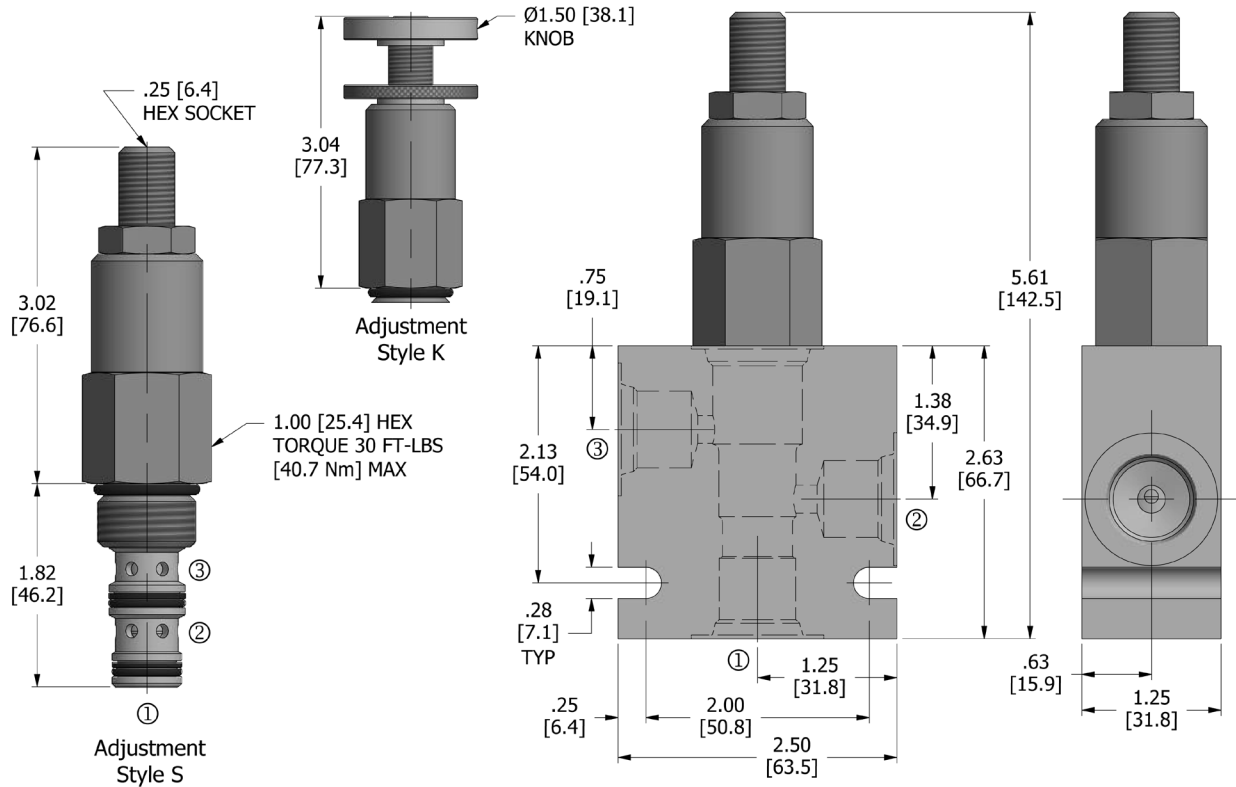
**Recommended Filtration:** ISO 20/18/14

**Fluids:** Mineral-based fluids. For other fluid compatibility, consult factory.

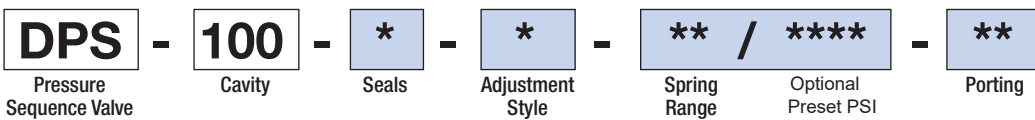
**Cavity/Cavity Tool:** 100-3, see page 11.10.3

**In-Line Body Material:** Anodized 6061T6 aluminum alloy rated at 3000 psi (207 bar).

**DIMENSIONS** Inches [Millimeters]



**HOW TO ORDER**



| Seals    |        | Seal Kit      |
|----------|--------|---------------|
| <b>N</b> | Buna N | DSK-100-3-N-C |
| <b>V</b> | Viton  |               |

| Adjustment Style |       |
|------------------|-------|
| <b>K</b>         | Knob  |
| <b>S</b>         | Screw |

| Spring Range |                                 | Preset             |
|--------------|---------------------------------|--------------------|
| <b>2</b>     | 50 to 200 psi (3 to 14 bar)     | 150 psi (10 bar)   |
| <b>9</b>     | 100 to 900 psi (7 to 62 bar)    | 450 psi (31 bar)   |
| <b>24</b>    | 700 to 2400 psi (48 to 166 bar) | 1800 psi (124 bar) |

| Optional Preset PSI |                          |
|---------------------|--------------------------|
| omit                | Standard preset          |
| ****                | example: 2550 = 2550 psi |

| Porting†  |                | In-Line Body w/o Cartridge |
|-----------|----------------|----------------------------|
| omit      | Cartridge only |                            |
| <b>2N</b> | 1/4 PTF        | B-100-3-2N                 |
| <b>3N</b> | 3/8 PTF        | B-100-3-3N                 |
| <b>6T</b> | SAE 6          | B-100-3-6T                 |
| <b>8T</b> | SAE 8          | B-100-3-8T                 |

† Other options available – consult factory

Valve and In-Line Body are supplied individually and need to be assembled. For a completed assembly consult the factory.

All variations may not be configurable. Minimum order quantities may be required on other models. Contact Deltrol Fluid Products for complete details.

SOLENOID  
CHECK  
MOTION CONTROL  
FLOW CONTROL  
RELIEF  
PRESSURE CONTROL  
SEQUENCE  
SHUTTLE  
DIRECTIONAL VALVES  
HAND PUMPS  
TECHNICAL DATA