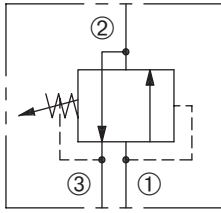


# DPS2-100

Adjustable, Internally-Piloted,  
Internally-Drained Sequence Valve

## SERIES 10



### DESCRIPTION

An adjustable, internally-piloted spool cartridge valve designed to direct oil to a circuit when a predetermined pressure has been reached.

### OPERATION

The DPS2-100 in the steady state allows flow from ② to ③ with ① blocked. When the preset pressure at ① is achieved, the spool shifts to allow flow from ① to ②.

### FEATURES and BENEFITS

- Variety of pressure ranges.
- Hardened precision spool and sleeve for long life.
- Hidden adjustment (tamper resistant) option.
- Aluminum knob and disc nut option.
- Adjustment may be locked in place.
- Industry common cavity.

### SPECIFICATIONS

**Operating Pressure:** 3000 psi (207 bar)

**Flow:** See PRESSURE DROP VS. FLOW graph.  
Nominal Flow 5 gpm (18.9 lpm)

**Internal Leakage:** 5 in<sup>3</sup>/min (82 cc/min) max. at 3000 psi (207 bar)

**Spring Range:** 100 to 2400 psi (7 to 166 bar)

Preset (See HOW TO ORDER)

**Temperature:** -30°F to +250°F (-35°C to +120°C)

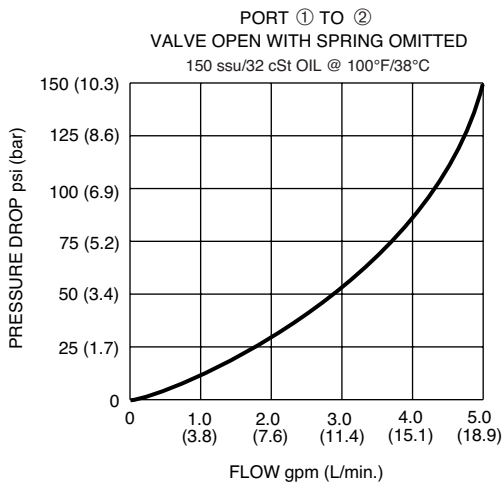
**Recommended Filtration:** ISO 20/18/14

**Fluids:** Mineral-based fluids. For other fluid compatibility, consult factory.

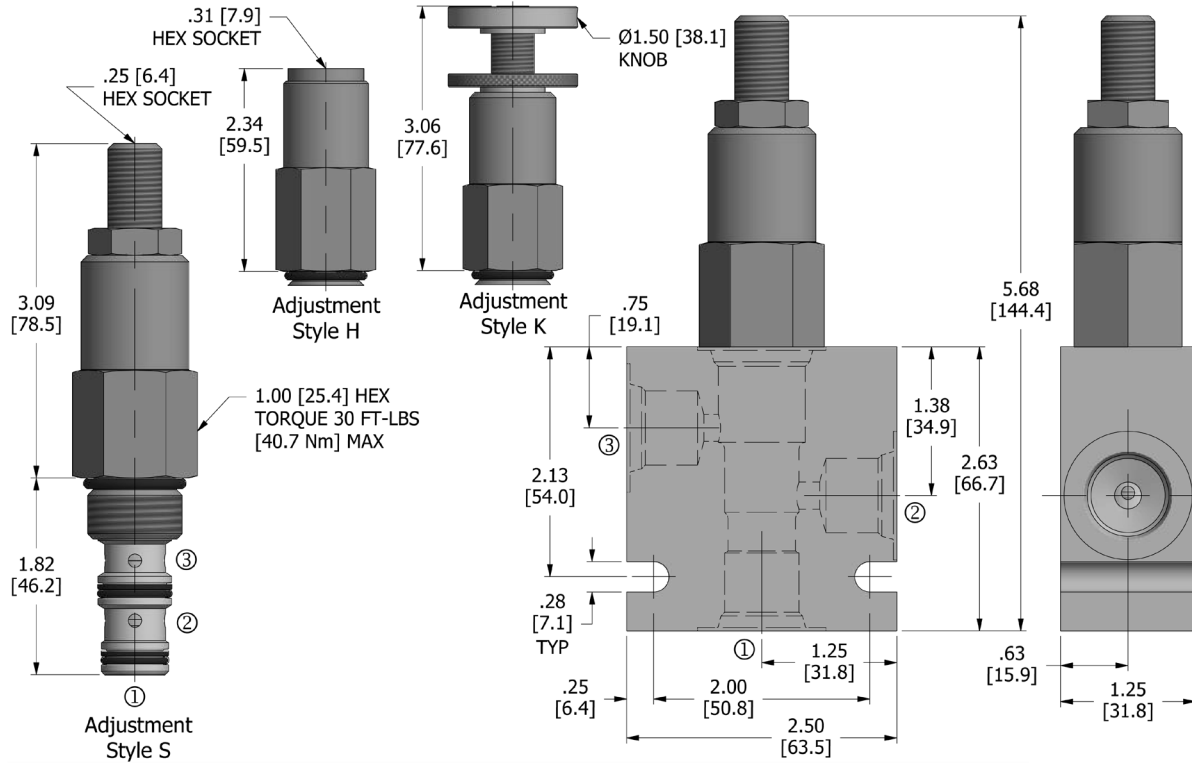
**Cavity/Cavity Tool:** 100-3, see page 11.10.3

**In-Line Body Material:** Anodized 6061T6 aluminum alloy rated at 3000 psi (207 bar).

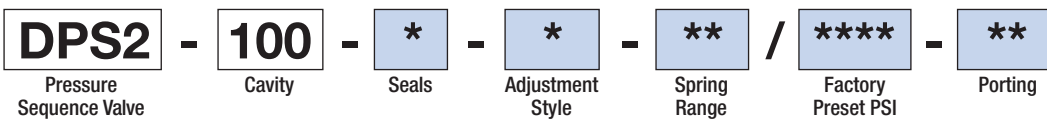
### PRESSURE DROP VS. FLOW



**DIMENSIONS** Inches [Millimeters]



**HOW TO ORDER**



Seals		Seal Kit
<b>N</b>	Buna N	DSK-100-3-N-C
<b>V</b>	Viton	

Spring Range		Preset
<b>10</b>	100 to 1000 psi (7 to 69 bar)	500 psi (34 bar)
<b>24</b>	400 to 2400 psi (28 to 166 bar)	2000 psi (138 bar)

Porting†		In-Line Body w/o Cartridge
omit	Cartridge only	
<b>2N</b>	1/4 PTF	B-100-3-2N
<b>3N</b>	3/8 PTF	B-100-3-3N
<b>6T</b>	SAE 6	B-100-3-6T
<b>8T</b>	SAE 8	B-100-3-8T

Adjustment Style	
<b>H</b>	Hidden
<b>K</b>	Knob
<b>S</b>	Screw

Factory Preset PSI	
omit	Standard preset
<b>****</b>	example: 1500 = 1500 psi

† Other options available – consult factory

Valve and In-Line Body are supplied individually and need to be assembled. For a completed assembly consult the factory.

All variations may not be configurable. Minimum order quantities may be required on other models. Contact Deltrol Fluid Products for complete details.