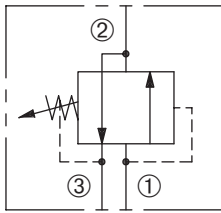


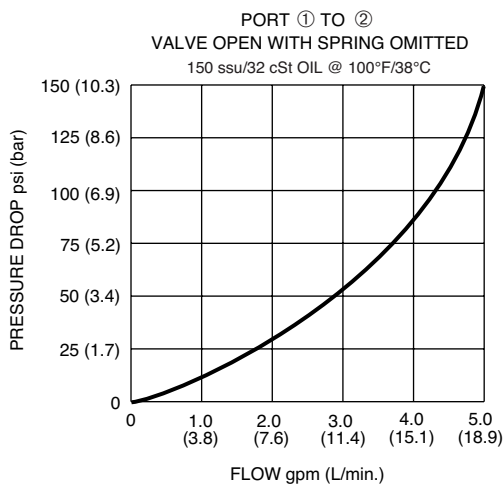
# DPS2-100

Adjustable, Internally-Piloted,  
Internally-Drained Sequence Valve

## SERIES 10



### PRESSURE DROP VS. FLOW



### DESCRIPTION

An adjustable, internally-piloted spool cartridge valve designed to direct oil to a circuit when a predetermined pressure has been reached.

### OPERATION

The DPS2-100 in the steady state allows flow from ② to ③ with ① blocked. When the preset pressure at ① is achieved, the spool shifts to allow flow from ① to ②.

### FEATURES and BENEFITS

- Variety of pressure ranges.
- Hardened precision spool and sleeve for long life.
- Hidden adjustment (tamper resistant) option.
- Aluminum knob and disc nut option.
- Adjustment may be locked in place.
- Industry common cavity.

### SPECIFICATIONS

**Operating Pressure:** 3000 psi (207 bar)

**Flow:** See PRESSURE DROP VS. FLOW graph.  
Nominal Flow 5 gpm (18.9 lpm)

**Internal Leakage:** 5 in<sup>3</sup>/min (82 cc/min) max. at 3000 psi (207 bar)

**Spring Range:** 100 to 2400 psi (7 to 166 bar)

Preset (See HOW TO ORDER)

**Temperature:** -30°F to +250°F (-35°C to +120°C)

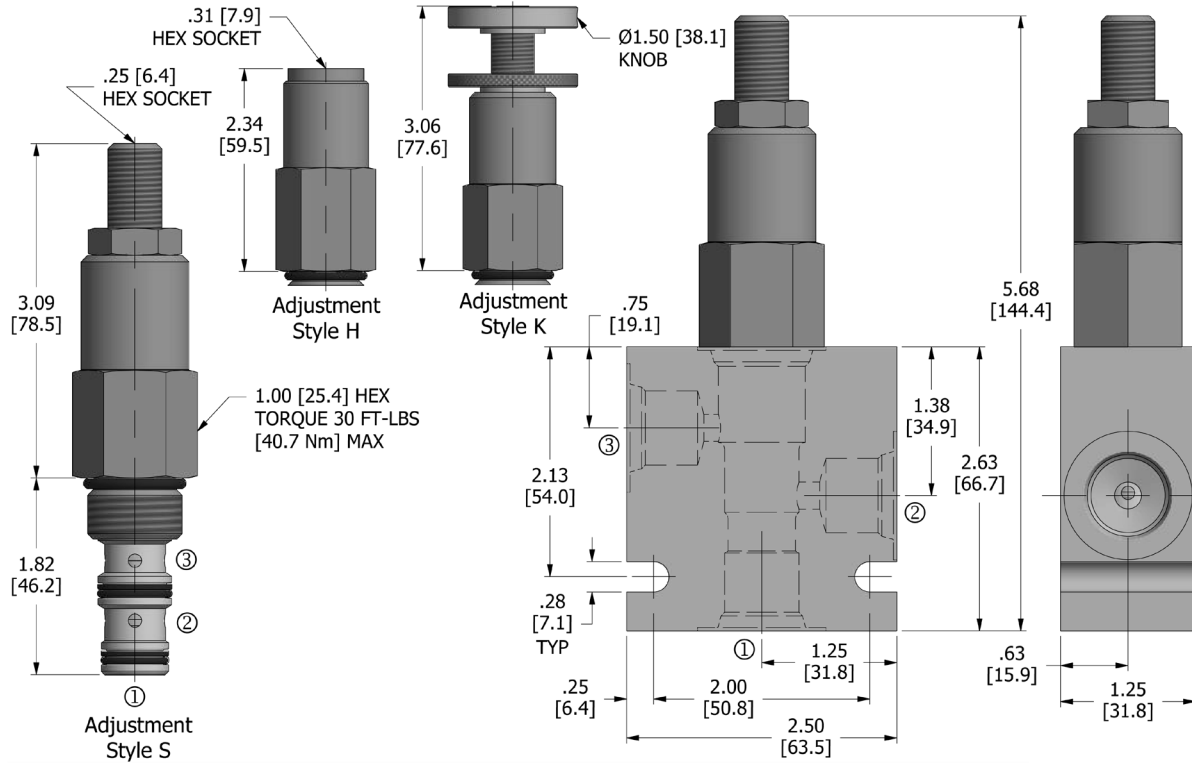
**Recommended Filtration:** ISO 20/18/14

**Fluids:** Mineral-based fluids. For other fluid compatibility, consult factory.

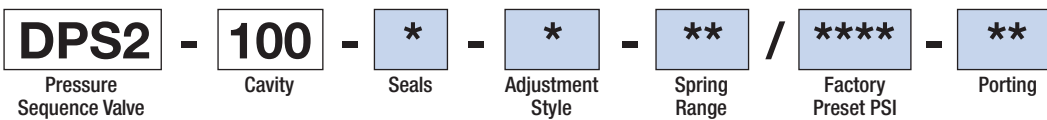
**Cavity/Cavity Tool:** 100-3, see page 11.10.3

**In-Line Body Material:** Anodized 6061T6 aluminum alloy rated at 3000 psi (207 bar).

**DIMENSIONS** Inches [Millimeters]



**HOW TO ORDER**



Seals		Seal Kit
N	Buna N	DSK-100-3-N-C
V	Viton	

Spring Range		Preset
10	100 to 1000 psi (7 to 69 bar)	500 psi (34 bar)
24	400 to 2400 psi (28 to 166 bar)	2000 psi (138 bar)

Porting†		In-Line Body w/o Cartridge
omit	Cartridge only	
2N	1/4 PTF	B-100-3-2N
3N	3/8 PTF	B-100-3-3N
6T	SAE 6	B-100-3-6T
8T	SAE 8	B-100-3-8T

Adjustment Style	
H	Hidden
K	Knob
S	Screw

Factory Preset PSI	
omit	Standard preset
****	example: 2550 = 2550 psi

† Other options available – consult factory

Valve and In-Line Body are supplied individually and need to be assembled. For a completed assembly consult the factory.

All variations may not be configurable. Minimum order quantities may be required on other models. Contact Deltrol Fluid Products for complete details.