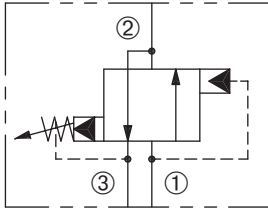


DPS3-080

Adjustable, Pilot-Operated,
Sequence Valve
5000 psi (345 bar)

SERIES 8

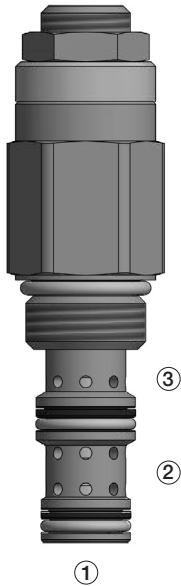


DESCRIPTION

An adjustable, pilot operated spool cartridge valve designed to direct oil to a circuit when a predetermined pressure has been reached.

OPERATION

The DPS3-080 in steady state blocks flow at ① while allowing flow from ② to ③. When the preset pressure at ① is achieved the pilot section opens. This pilot flow creates a pressure differential across the spool, which causes the spool to shift to allow flow from ① to ②.



FEATURES and BENEFITS

- Hardened precision spool and sleeve for long life.
- Variety of pressure ranges.
- High accuracy of pilot operated design.
- Adjustment prevents spring from going solid.
- Adjustment may be locked in place.
- Hidden adjustment option.
- Industry common cavity.

SPECIFICATIONS

Operating Pressure: 5000 psi (345 bar)

Flow: See PRESSURE DROP VS. FLOW graph.
6 gpm (22.7 lpm)

Internal Leakage: 5 in³/min (82 cc/min) max. at 3000 psi (207 bar)

Spring Range: 300 to 5000 psi (21 to 345 bar)
Preset (See HOW TO ORDER)

Temperature: -30°F to +250°F (-35°C to +120°C)

Recommended Filtration: ISO 19/15

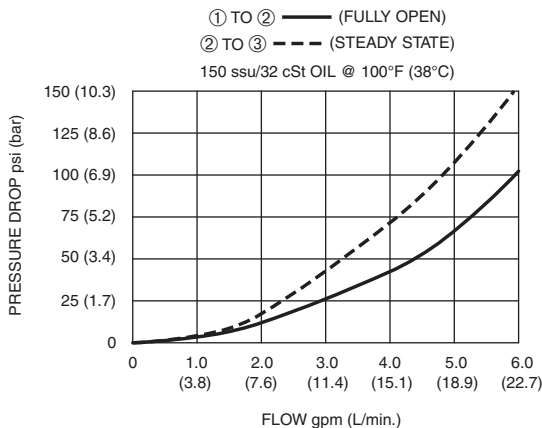
Fluids: Mineral-based fluids.

For other fluid compatibility, consult factory.

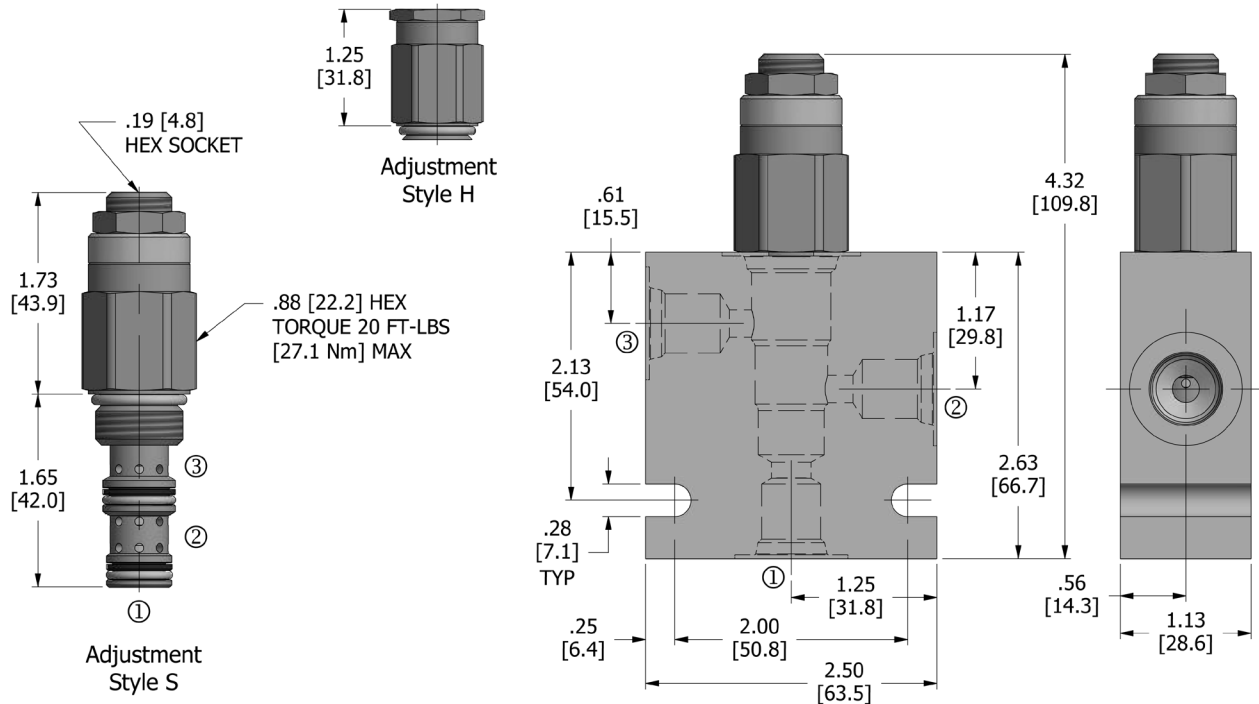
Cavity/Cavity Tool: 080-3, see page 11.08.3

In-Line Body Material: Anodized 6061T6 aluminum
alloy rated at 3000 psi (207 bar).

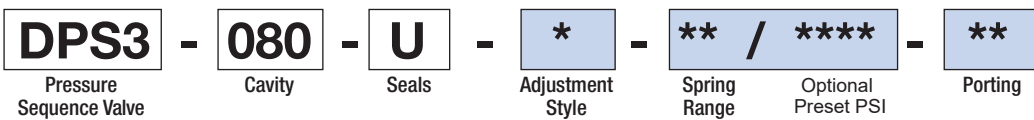
PRESSURE DROP VS. FLOW



DIMENSIONS Inches [Millimeters]



HOW TO ORDER



Seals		Seal Kit
U	Urethane	

Spring Range		Preset
15	300 to 1500 psi (21 to 103 bar)	300 psi (21 bar)
50	1000 to 5000 psi (69 to 345 bar)	3000 psi (206 bar)

Porting [†]		In-Line Body w/o Cartridge
omit	Cartridge only	
2N	1/4 PTF	B-080-3-2N
3N	3/8 PTF	B-080-3-3N
4T	SAE 4	B-080-3-4T
6T	SAE 6	B-080-3-6T

Adjustment Style	
H	Hidden
S	Screw

Optional Preset PSI	
omit	Standard preset
****	example: 2550 = 2550 psi

[†] Other options available – consult factory
 Valve and In-Line Body are supplied individually and need to be assembled. For a completed assembly consult the factory.
 All variations may not be configurable. Minimum order quantities may be required on other models. Contact Deltrol Fluid Products for complete details.

