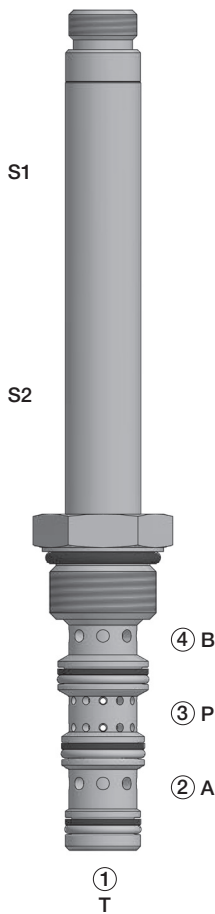
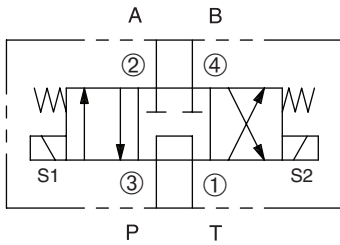


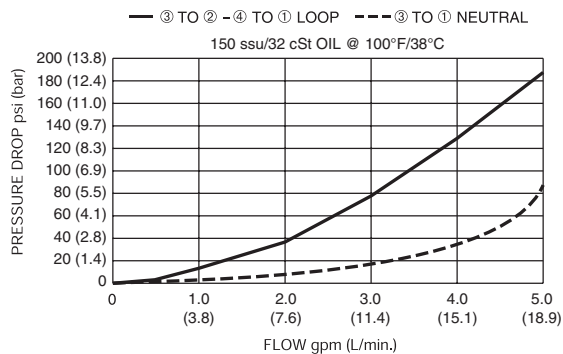
# DSV-100-34T

Four-Way, Three-Position, Tandem Center  
Spool-Type Solenoid Valve

## SERIES 10



### PRESSURE DROP VS. FLOW



### DESCRIPTION

A cartridge valve designed as a three position, four-way solenoid valve.

### OPERATION

When de-energized, the valve allows flow between the ③ and ① ports with the ② and ④ ports blocked. When the lower solenoid (S2) is energized, the valve allows flow between ② and ① ports and the ③ and ④ ports. When the upper solenoid (S1) is energized, the valve allows flow between the ④ and ① ports and the ③ and ② ports.

**Operation of Manual Override Option:** To override, pull the knurled knob to activate the coil "S1" function, or push the knurled knob to activate the coil "S2" function. Release the knurled knob to return the center position.

### FEATURES and BENEFITS

- Continuous-duty solenoid.
- Hardened precision spool and sleeve for long life.
- Efficient wet-armature construction.
- Cartridges are voltage interchangeable.
- Optional coil voltages and terminations.
- Industry common cavity.

### SPECIFICATIONS

**Operating Pressure:** 3000 psi (207 bar)

**Flow:** See PRESSURE DROP VS. FLOW graph.

Nominal flow 4 gpm (15.1 lpm)

**Internal Leakage:** (Per land) 10 in<sup>3</sup>/min (164 cc/min) max.  
at 3000 psi (207 bar)

**Temperature:** -30°F to +250°F (-35°C to +120°C)

**Coil:** Series 10: K-Coil see page 1.93.1; S-Coil see page 1.94.1.

**Coil Duty Rating:** Continuous from 85% to 110% of rated voltage.

**Current Draw:** 12 VDC is 1.8 amps.

**Minimum Pull-In Voltage:** 85% of rated voltage at 3000 psi (207 bar)

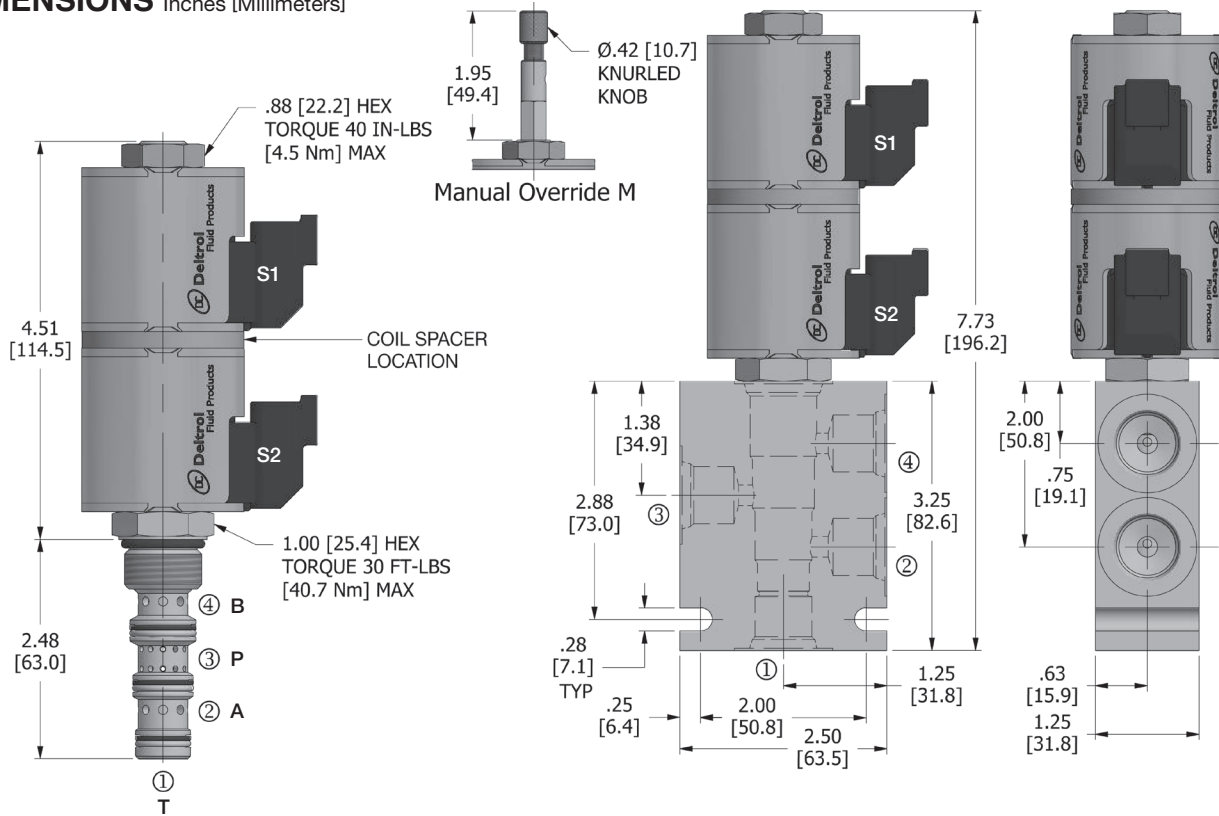
**Recommended Filtration:** ISO 17/15/13

**Fluids:** Mineral-based fluids. For other fluid compatibility, consult factory.

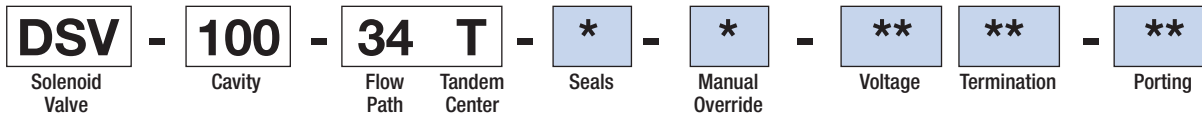
**Cavity/Cavity Tool:** 100-4, see page 11.10.4

**In-Line Body Material:** Anodized 6061T6 aluminum  
alloy rated at 3000 psi (207 bar)

### DIMENSIONS Inches [Millimeters]



### HOW TO ORDER



Seals		Seal Kit
N	Buna N	
V	Viton	

Manual Override	
omit	No manual override
M	Manual override

Voltage†	
omit	Cartridge only w/nut
D1	DC 12 Volt
D2	DC 24 Volt
D9	DC 20 Volt
D10	DC 10 Volt
A5	AC 120 Volt
A6	AC 240 Volt

Termination†		
K-Coil External Frame	S-Coil Internal Frame	For internal diode – consult factory
<b>XK</b>	<b>XS</b>	Coil Spacer only
<b>DE</b>	<b>D</b>	Dual Lead
<b>SE</b>	<b>S</b>	Single Lead
<b>BE</b>	<b>B</b>	Dual Spade
<b>AE</b>		Single Spade
<b>EE</b>	<b>E</b>	Single Stud
<b>UE</b> <small>IP69K</small>		Deutsch
<b>PE</b> <small>IP69K</small>		Metri-Pack
<b>JE</b> <small>IP69K</small>		Amp Junior Timer
<b>KE</b>		Kostal
<b>HE</b>	<b>H</b>	DIN 43650
	<b>C</b>	Conduit
10243-72	10243-72	coil retainer nut
10308-50	10170-15	coil spacer

Porting†		
omit	Cartridge only	In-Line Body w/o Cartridge
<b>2N</b>	1/4 PTF	B-100-4-2N
<b>3N</b>	3/8 PTF	B-100-4-3N
<b>6T</b>	SAE 6	B-100-4-6T
<b>8T</b>	SAE 8	B-100-4-8T

† Other options available – consult factory

Valve, Coil, and In-Line Body are supplied individually and need to be assembled. For a completed assembly consult the factory.

All variations may not be configurable. Minimum order quantities may be required on other models. Contact Deltrol Fluid Products for complete details.