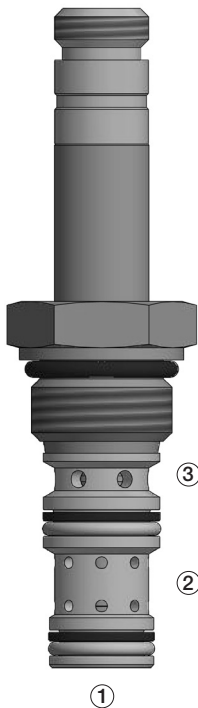
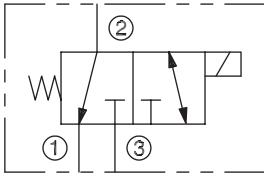


DSV2-080-3B

Three-Way, Two-Position,
Spool-Type Solenoid Valve

SERIES 8



DESCRIPTION

A cartridge valve designed as a three-way, spool-type, directional control valve.

OPERATION

When de-energized, the DSV-080-3B allows flow from ② to ①, while blocking flow at ③.

When energized, the cartridge's spool shifts to allow flow between ② and ③ while blocking flow at ①.

Operation of Manual Override Option: To override, push button in to activate. To return to normal valve function, release button.

FEATURES and BENEFITS

- Continuous-duty solenoid.
- Hardened precision spool and sleeve for long life.
- Efficient wet-armature construction.
- Cartridges are voltage interchangeable.
- Optional coil voltages and terminations.
- Manual override option.
- Industry common cavity.

SPECIFICATIONS

Operating Pressure: 3000 psi (207 bar)

Flow: See PRESSURE DROP VS. FLOW graph.

Nominal flow 5 gpm (18.9 lpm)

Internal Leakage: (Per land) 5 in³/min (82 cc/min) max.
at 3000 psi (207 bar)

Temperature: -30°F to +250°F (-35°C to +120°C)

Coil: Series 8: K-Coil see page 1.91.1; S-Coil see page 1.92.1.

Coil Duty Rating: Continuous from 85% to 110% of rated voltage.

Current Draw: 12 VDC is 1.3 amps.

Minimum Pull-In Voltage: 85% of rated voltage at 3000 psi (207 bar)

Response Time: 80% of final change of state with 100% voltage
supplied at 100% of nominal flow rating.

Pull-In: 12 VDC 45 m. sec. **Drop-Out:** 12 VDC 57 m. sec.

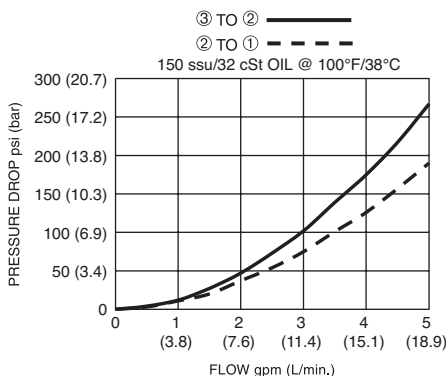
Recommended Filtration: ISO 17/15/13

Fluids: Mineral-based fluids. For other fluid compatibility, consult factory.

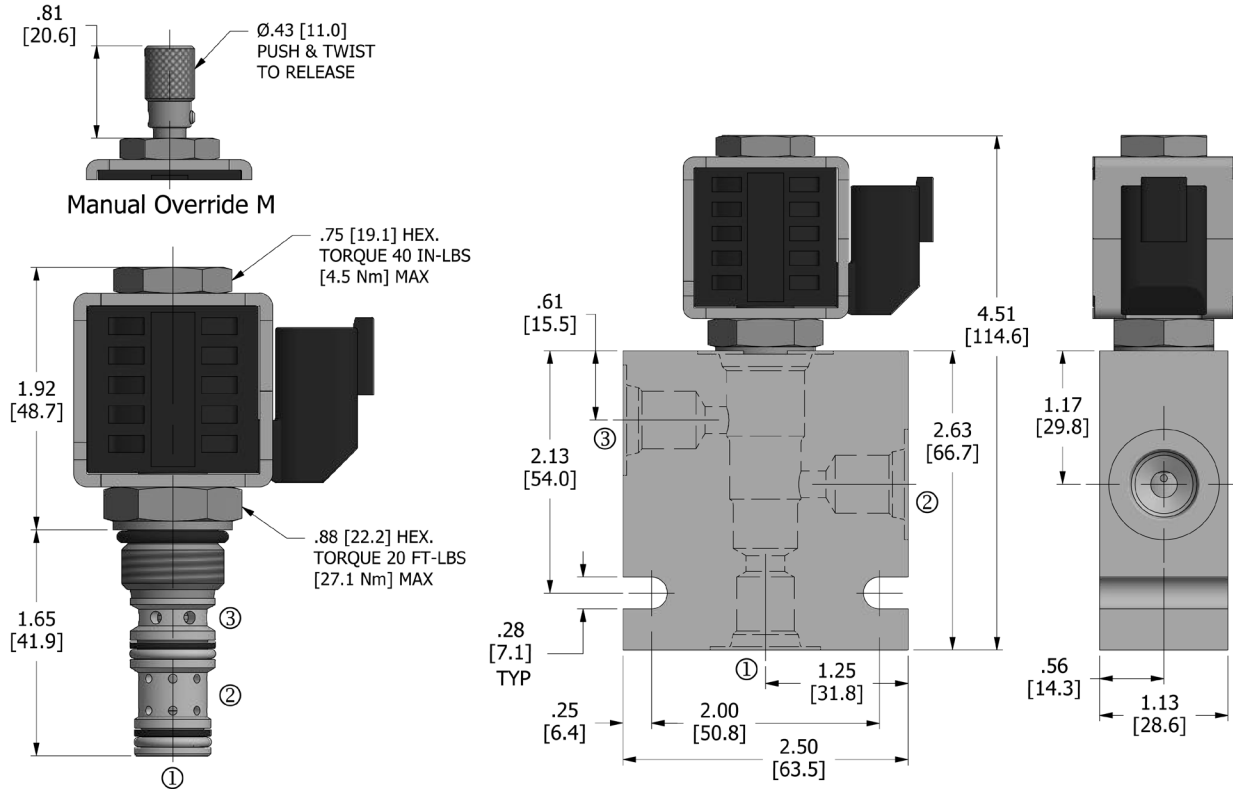
Cavity/Cavity Tool: 080-3, see page 11.08.3

In-Line Body Material: Anodized 6061T6 aluminum
alloy rated at 3000 psi (207 bar).

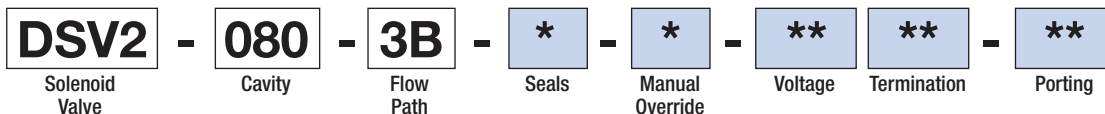
PRESSURE DROP VS. FLOW



DIMENSIONS Inches [Millimeters]



HOW TO ORDER



Seals		Seal Kit
N	Buna N	
V	Viton	

Manual Override	
omit	No manual override
M	Manual override

Voltage†	
omit	Cartridge only w/nut
D1	DC 12 Volt
D2	DC 24 Volt
D9	DC 20 Volt
D10	DC 10 Volt
A5	AC 120 Volt
A6	AC 240 Volt

Termination†		
K-Coil External Frame	S-Coil Internal Frame	For internal diode – consult factory
omit	omit	Cartridge only w/nut
DE	DS	Dual Lead
SE	SS	Single Lead
BE	BS	Dual Spade
AE	AS	Single Spade
EE	ES	Single Stud
UE <small>IP69K</small>	US	Deutsch
PE <small>IP69K</small>		Metri-Pack
JE <small>IP69K</small>		Amp Junior Timer
	HS	DIN 43650
	C	Conduit <small>Duty Rating: Intermittent</small>
10234-41	10234-41	coil retainer nut

Porting†		In-Line Body w/o Cartridge
omit	Cartridge only	
2N	1/4 PTF	B-080-3-2N
3N	3/8 PTF	B-080-3-3N
4T	SAE 4	B-080-3-4T
6T	SAE 6	B-080-3-6T

† Other options available – consult factory

Valve, Coil, and In-Line Body are supplied individually and need to be assembled. For a completed assembly consult the factory.

All variations may not be configurable. Minimum order quantities may be required on other models. Contact Deltrol Fluid Products for complete details.