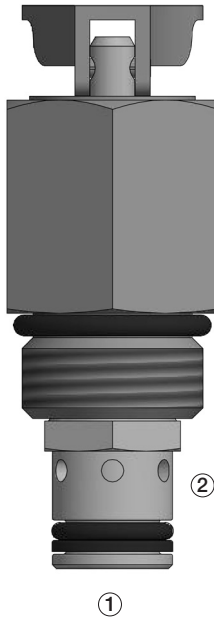
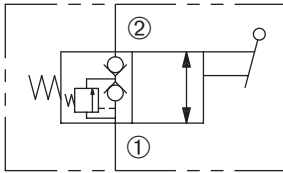


DTV2-080

Normally Closed,
Toggle-Operated Valve

SERIES 8



DESCRIPTION

A toggle-operated cartridge valve designed with positive shut off to be used in load holding applications.

OPERATION

The DTV2-080 blocks flow from ② to ①, or ① to ②. When the toggle handle is actuated, fluid flows from ② to ①, or ① to ②. The cartridge allows reverse flow from ① to ② after overcoming the spring force of 450 PSI (31 Bar).

The DTV2-080 can be actuated by pushing or pulling the toggle handle.

FEATURES and BENEFITS

- Chrome alloy ball for long life.
- Push or pull actuator.
- Cannot over-center detent open (Safety purposes).
- Industry common cavity.

SPECIFICATIONS

Operating Pressure: 3000 psi (207 bar)

Flow: See PRESSURE DROP VS. FLOW graph.

Nominal flow 6 gpm (22.7 lpm)

Internal Leakage: 5 drops/min max. at 3000 psi (207 bar)

Temperature: -30° F to +250° F (-35°C to +120° C)

Recommended Filtration: Critical Application-ISO 17/15/13

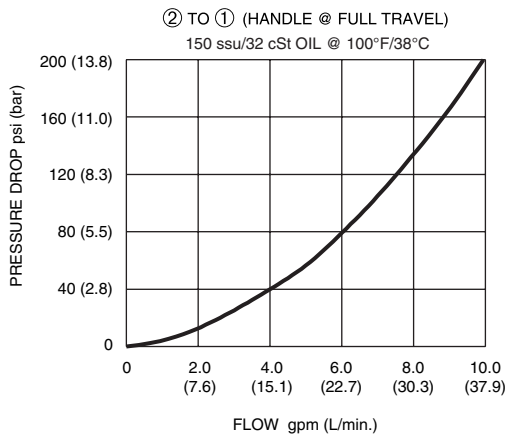
Non-Critical Application-ISO 20/18/14

Fluids: Mineral-based fluids. For other fluid compatibility consult factory.

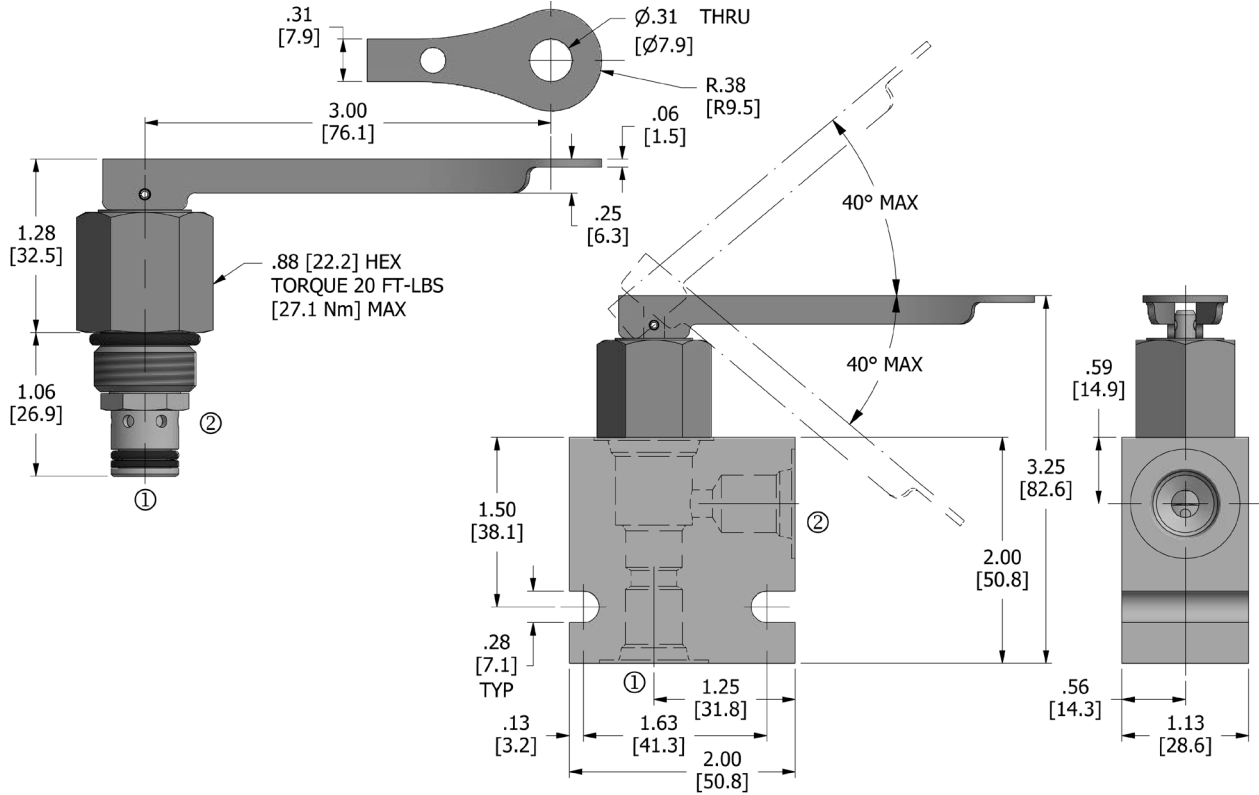
Cavity/Cavity Tools: 080-2, see page 11.08.2

In-Line Body Material: Anodized 6061T6 aluminum
alloy rated at 3000 psi (207 bar).

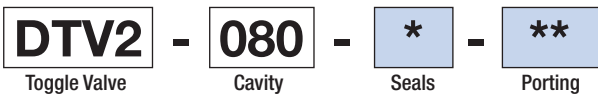
PRESSURE DROP VS. FLOW



DIMENSIONS Inches [Millimeters]



HOW TO ORDER



Seals		Seal Kit
N	Buna N	DSK-080-2-N-A
V	Viton	DSK-080-2-V-A

Porting [†]		In-Line Body w/o Cartridge
omit	Cartridge only	
2N	1/4 PTF	B-080-2-2N
3N	3/8 PTF	B-080-2-3N
4T	SAE 4	B-080-2-4T
6T	SAE 6	B-080-2-6T

[†] Other options available – consult factory

Valve and In-Line Body are supplied individually and need to be assembled. For a completed assembly consult the factory.

All variations may not be configurable. Minimum order quantities may be required on other models. Contact Deltrol Fluid Products for complete details.