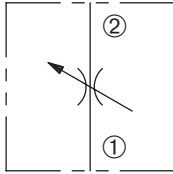


# NC

Adjustable,  
Needle Valve

## SERIES NC



### DESCRIPTION

A non-self-contained cartridge valve designed to provide a variable flow restriction with positive shut-off. Valve sizes range from 1/8" to 3/4". Available sizes; SAE 4, SAE 6 and NPTF sizes from 1/8" to 3/4".

### OPERATION

The NC series of valves vary flow restriction by adjusting needle in or out and will shut off when fully closed. These valves will meter flow in either direction.

### FEATURES and BENEFITS

- Aluminum knob.
- Fully adjustable.
- Adjustment may be locked in place.
- Positive shut-off.
- Compact size.

### SPECIFICATIONS

**Operating Pressure:** 3000 psi (207 bar)

**Flow:** See FLOW CHARACTERISTICS chart.

**Temperature:** -15°F to +400°F (-26°C to +204°C)

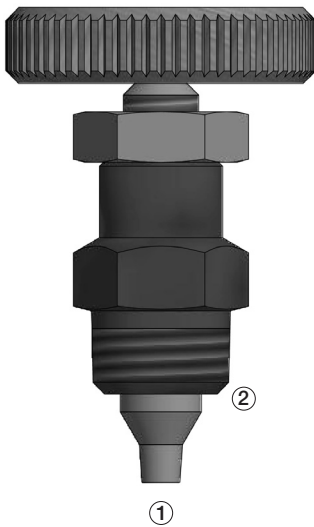
**Recommended Filtration:** ISO 20/18/14

**Fluids:** Mineral-based fluids. For other fluid compatibility, consult factory.

**Cavities/Cavity Tools:** NC10; NC20; NC25; NC30 & NC35, see page 11.21.1

NC4T, see page 11.21.2

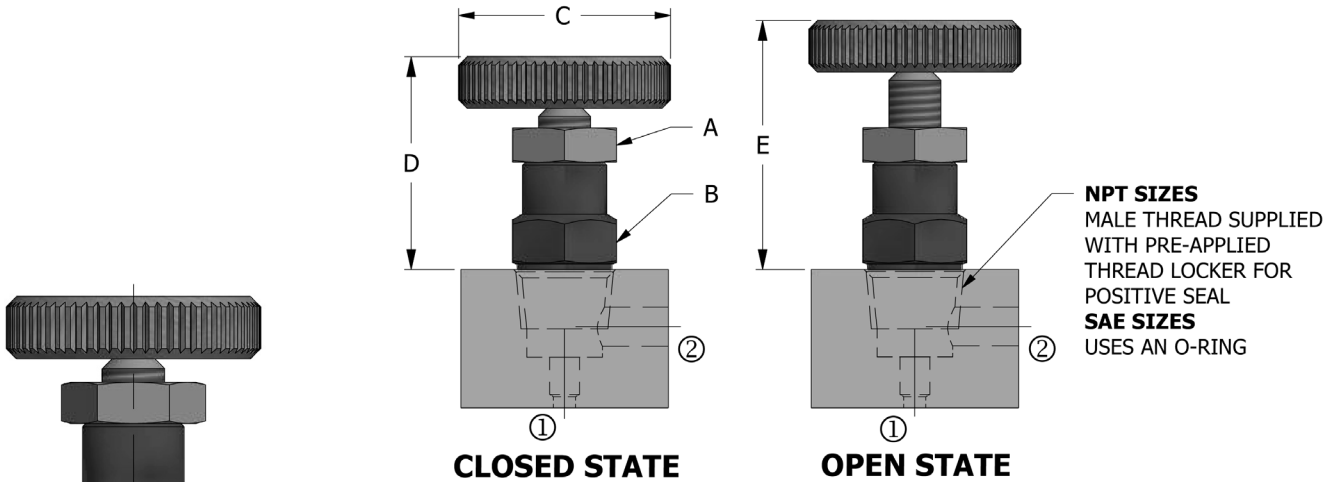
NC6T, see page 11.21.3



### FLOW CHARACTERISTICS

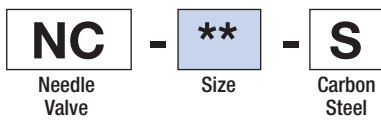
MODEL	MAX. FLOW RECOMMENDED gpm (lpm)	CV FLOW FACTOR (FULL OPEN)
NC-04-S	13.5 (51.1)	.78
NC-06-S	22.5 (85.2)	1.24
NC-10-S	3.2 (12.1)	.19
NC-20-S	7.0 (26.5)	.43
NC-25-S	13.5 (51.1)	.78
NC-30-S	22.5 (85.2)	1.24
NC-35-S	34.0 (128.7)	1.78

**DIMENSIONS** Inches [Millimeters]



MODEL	A (WIDTH ACROSS HEX. FLATS)	B (WIDTH ACROSS HEX. FLATS)	C (DIA.)	D (CLOSED)	E (FULL OPEN)	INSTALLATION TORQUE
NC-04-S	.44 [11.2]	.56 [14.2]	1.03 [26.2]	1.02 [25.9]	1.24 [31.5]	135 IN-LBS [15.3 Nm]
NC-06-S	.50 [12.7]	.69 [17.5]	1.03 [26.2]	1.20 [30.6]	1.45 [36.9]	
NC-10-S	.38 [9.7]	.38 [9.7]	.78 [19.8]	.75 [19.1]	.88 [22.4]	
NC-20-S	.44 [11.2]	.50 [12.7]	.78 [19.8]	.86 [21.8]	1.00 [25.4]	
NC-25-S	.44 [11.2]	.50 [12.7]	1.03 [26.2]	.97 [24.6]	1.19 [30.2]	
NC-30-S	.50 [12.7]	.56 [14.2]	1.03 [26.2]	1.19 [30.2]	1.44 [36.6]	
NC-35-S	.69 [17.5]	.75 [19.1]	1.03 [26.2]	1.31 [33.3]	1.63 [41.4]	

**HOW TO ORDER**



Size	Flow - Maximum	Cavity	Seals	Seal Kit (external)
<b>04</b>	SAE 4 13.5 gpm (51.1 lpm)	NC4T	Viton	(1) 10031-20
<b>06</b>	SAE 6 22.5 gpm (85.2 lpm)	NC6T	Buna N	(1) 10031-22
<b>10</b>	1/8" NPT 3.2 gpm (12.1 lpm)	NC10	Viton (internal)	Thread Locker
<b>20</b>	1/4" NPT 7.0 gpm (26.5 lpm)	NC20		
<b>25</b>	3/8" NPT 13.5 gpm (51.1 lpm)	NC25		
<b>30</b>	1/2" NPT 22.5 gpm (85.2 lpm)	NC30		
<b>35</b>	3/4" NPT 34.0 gpm (128.7 lpm)	NC35		

All variations may not be configurable. Minimum order quantities may be required on other models. Contact Deltrol Fluid Products for complete details.

SOLENOID  
CHECK  
MOTION CONTROL  
FLOW CONTROL  
RELIEF  
PRESSURE CONTROL  
SEQUENCE  
SHUTTLE  
DIRECTIONAL VALVES  
HAND PUMPS  
TECHNICAL DATA