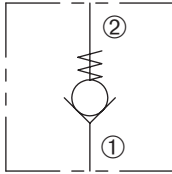


# ZCO-62

Zero Leak, Direct-Acting,  
Poppet-Type Check Valve

## ZERO PROFILE



### DESCRIPTION

A cartridge valve designed to allow free flow in one direction, while preventing flow in the opposite direction. This valve is commonly used as a load-holding or blocking valve.

### OPERATION

Pressure at ① overcomes the spring-bias poppet and allows free flow to ②. Flow in the opposite direction, from ② to ①, is blocked by the poppet.



### FEATURES and BENEFITS

- Slip in style.
- Zero leak.
- Compact size.

### SPECIFICATIONS

**Operating Pressure:** 1500 psi (103 bar)

**Flow:** See PRESSURE DROP VS. FLOW graph.  
Nominal Flow 2 gpm (7.6 lpm)

**Internal Leakage:** 0 drops/min max. at 1500 psi (103 bar)

**Crack Pressure:** 1 - 2 psi (0.67-0.14 bar)

**Temperature:** -30°F to +250°F (-35°C to +120°C)

**Recommended Filtration:** Critical Application – ISO 17/15/13  
Non-Critical Application – ISO 20/18/14

**Fluids:** Mineral-based fluids.

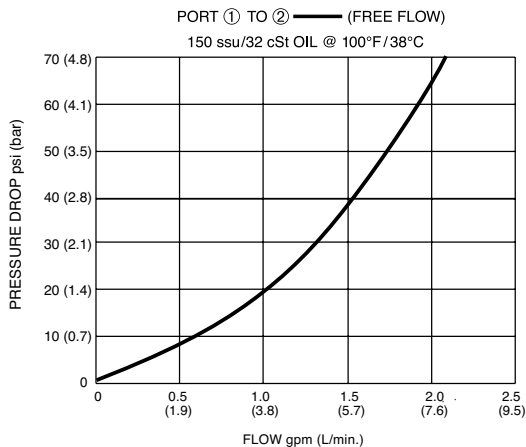
For other fluid compatibility, consult factory.

**Cavity/Cavity Tool:** ZP62, see page 11.06.2

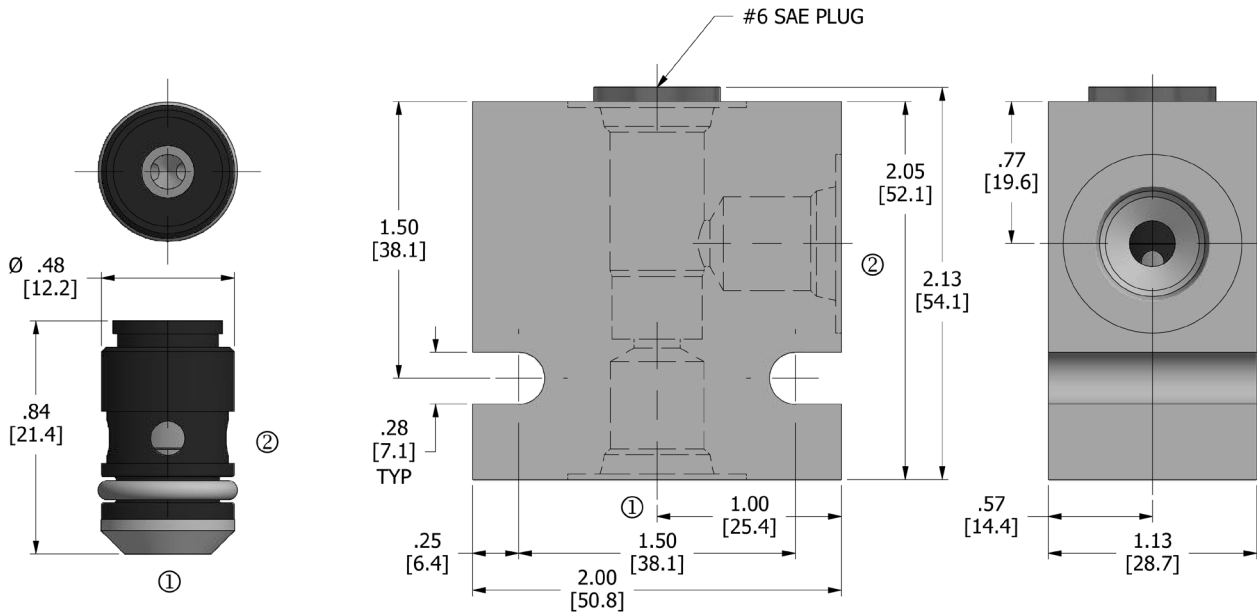
**Installation/Removal Tool:** Consult factory

**In-Line Body Material:** Anodized 6061T6 aluminum  
alloy rated at 3000 psi (207 bar).

### PRESSURE DROP VS. FLOW



## DIMENSIONS Inches [Millimeters]



## HOW TO ORDER



Seals		Seal Kit	Crack Pressure		Porting <sup>†</sup>		In-Line Body w/o Cartridge
<b>U</b>	Urethane	(1) 10195-25	<b>1</b>	1-2 psi (0.07-0.14 bar)	omit	Cartridge only	
					<b>4T</b>	SAE 4	B-ZP62-A-4T
					<b>6T</b>	SAE 6	B-ZP62-A-6T

<sup>†</sup> Other options available – consult factory

Valve and In-Line Body are supplied individually and need to be assembled. For a completed assembly consult the factory.

All variations may not be configurable. Minimum order quantities may be required on other models. Contact Deltrol Fluid Products for complete details.