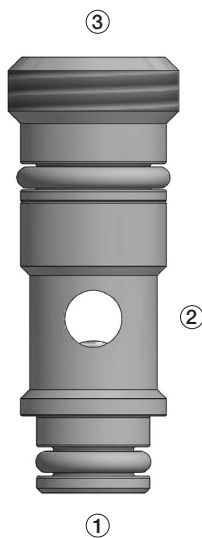
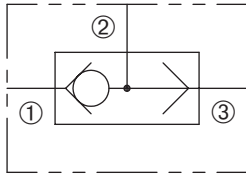


# ZSHB-63

Ball-Type  
Shuttle Valve

## ZERO PROFILE



## DESCRIPTION

A cartridge valve designed to direct flow from either of the two inlet ports to a common outlet port.

## OPERATION

The ZSHB-63 allows the check ball to move away from inlet port ① or ③ with the greatest differential pressure and seat against the other inlet port having the least differential pressure. This provides a flow path to outlet port ②.

## FEATURES and BENEFITS

- Excellent response to pressure changes.
- Chrome alloy ball for long life.
- Compact size.

## SPECIFICATIONS

**Operating Pressure:** 3000 psi (207 bar)

**Flow:** See PRESSURE DROP VS. FLOW graph.  
Nominal Flow 4 gpm (15.1 lpm).

**Internal Leakage:** 5 drops/min max. at 3000 psi (207 bar)

**Temperature:** -30°F to +250°F (-35°C to +120°C)

**Recommended Filtration:** Critical Application – ISO 17/15/13

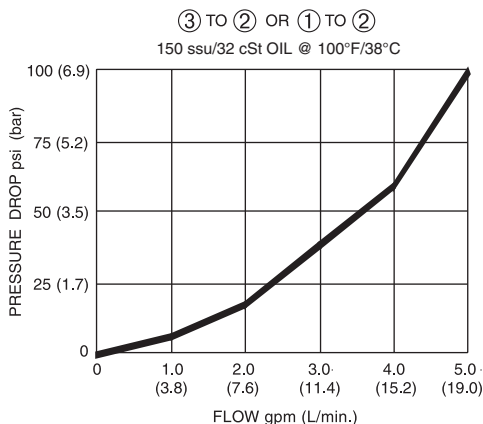
Non-Critical Application – ISO 20/18/14

**Fluids:** Mineral-based fluids. For other fluid compatibility, consult factory.

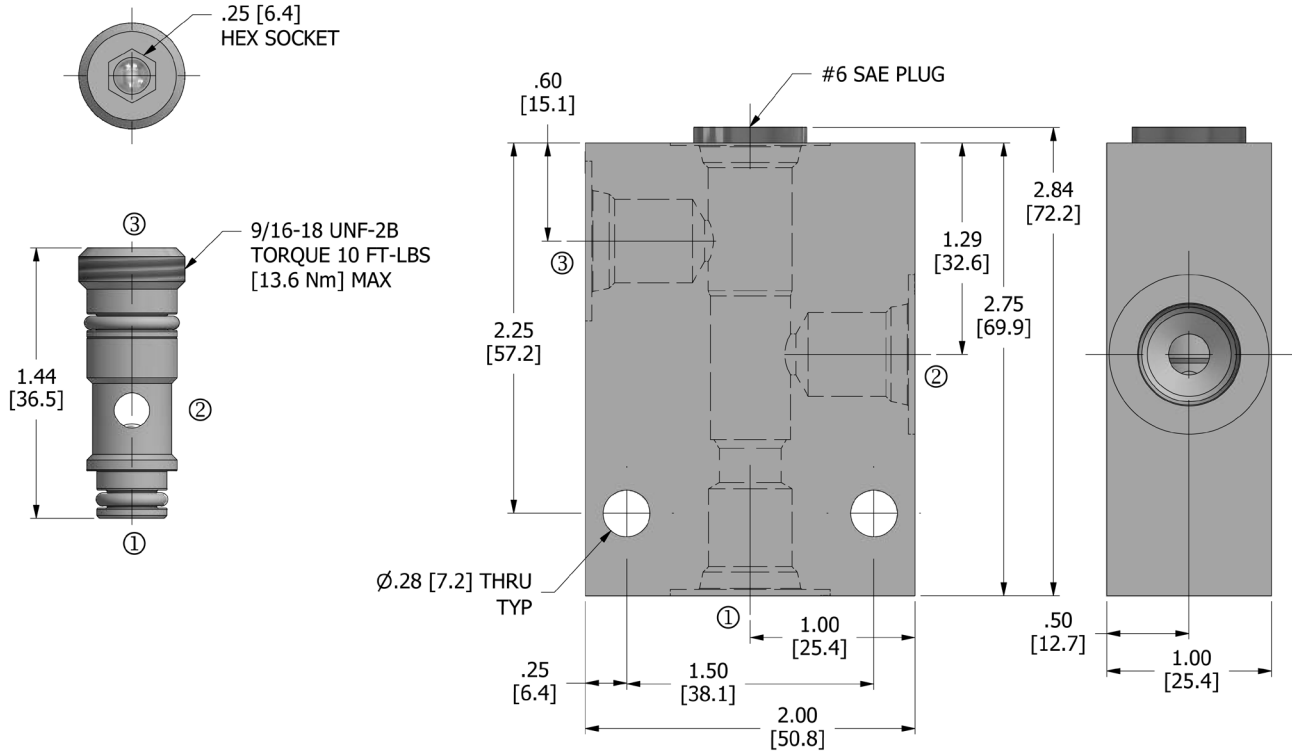
**Cavity/Cavity Tool:** ZP63, see page 11.06.3

**In-Line Body Material:** Anodized 6061T6 aluminum alloy rated at 3000 psi (207 bar).

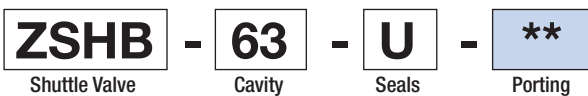
## PRESSURE DROP VS. FLOW



## DIMENSIONS Inches [Millimeters]



## HOW TO ORDER



Seals		Seal Kit	Porting <sup>†</sup>		In-Line Body w/o Cartridge
U	Urethane	(1) 10195-24	omit	Cartridge only	
		(1) 10195-25	4T	SAE 4	B-ZP63-A-4T

<sup>†</sup> Other options available – consult factory

Valve and In-Line Body are supplied individually and need to be assembled. For a completed assembly consult the factory.

All variations may not be configurable. Minimum order quantities may be required on other models. Contact Deltrol Fluid Products for complete details.