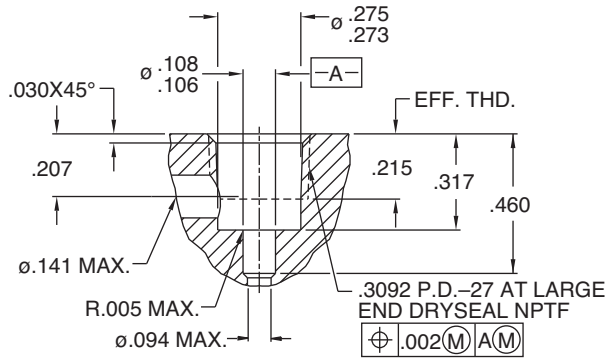


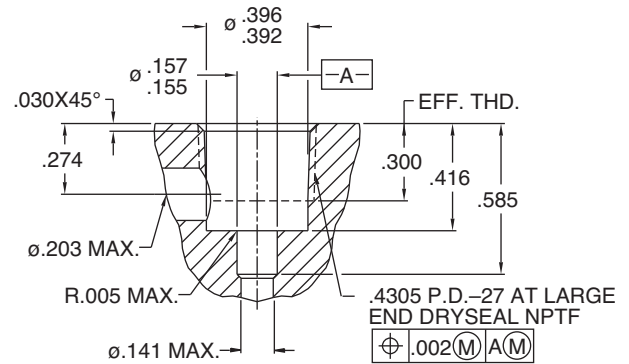
NC** Cavity

SERIES NC



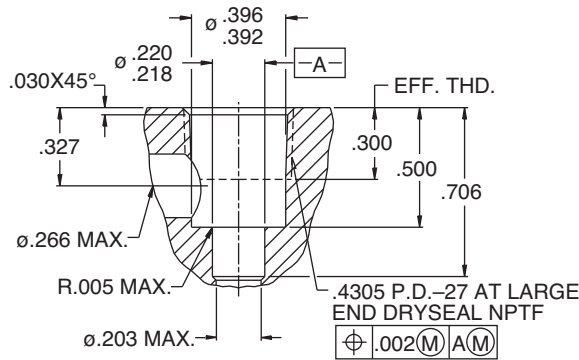
NC10 Cavity

Step Drill P/N – 10131-90
 Tap – Steel P/N – 10131-91
 Tap – Aluminum P/N – 10131-92



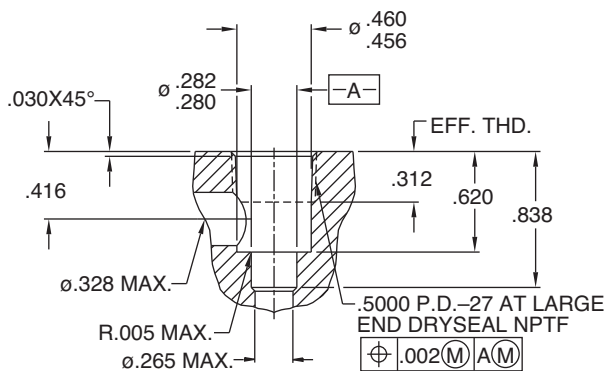
NC20 Cavity

Step Drill P/N – 10131-93
 Tap – Steel P/N – 10131-94
 Tap – Aluminum P/N – 10131-95



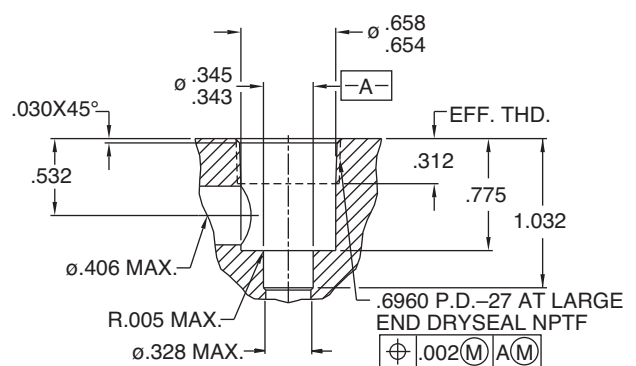
NC25 Cavity

Step Drill P/N – 10131-96
 Tap – Steel P/N – 10131-94
 Tap – Aluminum P/N – 10131-95



NC30 Cavity

Step Drill P/N – 10131-99
 Tap – Steel P/N – 10132-00
 Tap – Aluminum P/N – 10132-01



NC35 Cavity

Step Drill P/N – 10132-02
 Tap – Steel P/N – 10132-03
 Tap – Aluminum P/N – 10132-04