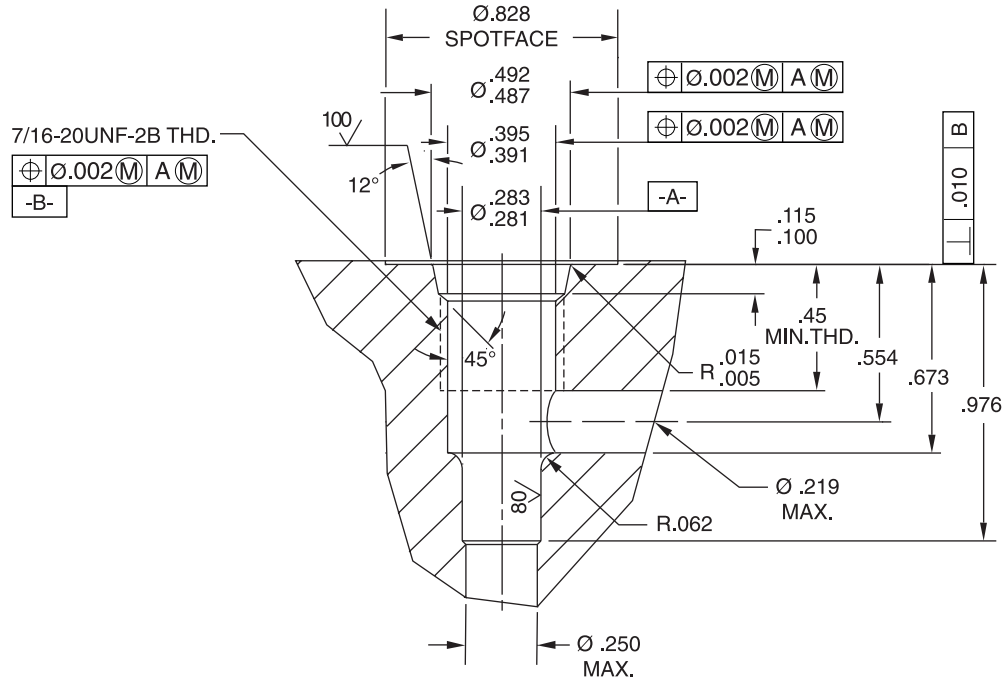


# ZP42 Cavity

## ZERO PROFILE



### ZP42 Cavity

Rough Drill P/N – 10206-12  
 Finish Form Tool P/N – 10206-13

#### UNLESS OTHERWISE SPECIFIED

Specifications subject to change,  
 consult factory.

All dimensions in inches.

2 PLACE DIM  $\pm .01$

3 PLACE DIM  $\pm .005$

ANGLE  $\pm .5^\circ$