

SERIES 8

16 WATT

VOLTS	OHMS	INITIAL CURRENT DRAW (AMPS)
10 DC	6.2	1.60
12 DC	9.0	1.33
20 DC	25.0	.80
24 DC	35.8	.67

SPECIFICATIONS

Wattage: Nominally 16 watt at 68°F./20°C.

Duty Rating: Continuous up to 115% voltage.

Ambient Operating Temperature: 212°F/100°C.

Encapsulating Material: Thermoplastic Polyester (PET) (Rynite FR530).

Termination Options: See below and on the following pages.

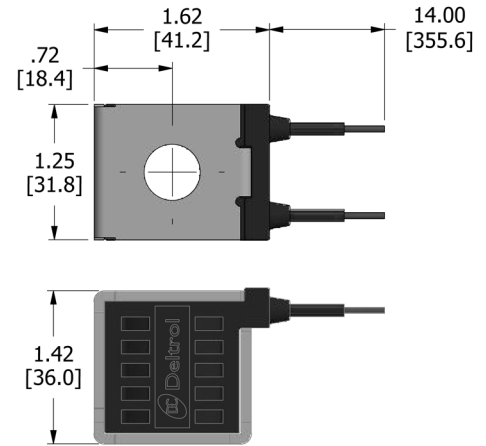
Environmental: IP69K for Deutsch, Metri-Pack and Amp Junior timer-style coils.

DUAL LEAD - IP65 rated

CODE - **DE

VOLTS	PART NO.	CODE	LEAD COLOR
10 DC	10257-40	D10DE	GREEN
12 DC	10244-28	D1DE	RED
20 DC	10258-75	D20DE	LT BLUE
24 DC	10257-41	D2DE	BLUE

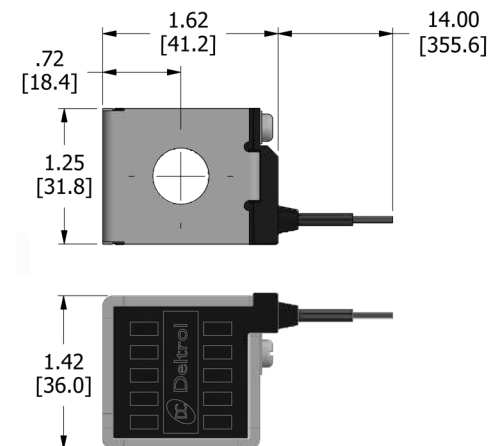
FOR INTERNAL DIODE – CONSULT FACTORY



SINGLE LEAD - IP65 rated

CODE - **SE

VOLTS	PART NO.	CODE	LEAD COLOR
10 DC	10257-44	D10SE	GREEN
12 DC	10244-29	D1SE	RED
20 DC	10258-76	D20SE	LT BLUE
24 DC	10257-45	D2SE	BLUE



K-Coil, Series 8

External Frame (continued)

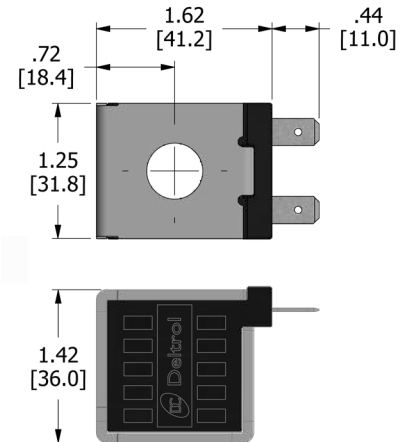
SERIES 8

DUAL SPADE

CODE - **BE

VOLTS	PART NO.	CODE
10 DC	10257-46	D10BE
12 DC	10244-27	D1BE
20 DC	10257-47	D20BE
24 DC	10257-48	D2BE

TERMINATION:
1/4" MALE QUICK-CONNECT
PER SAE J858A (TYPE 1B)



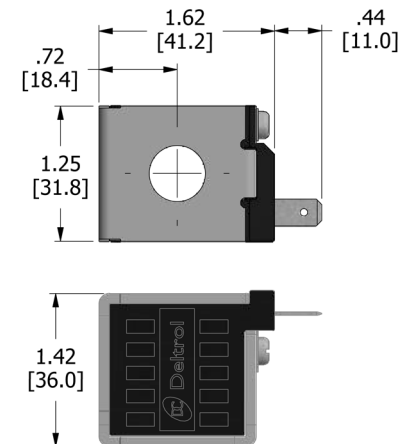
FOR INTERNAL DIODE – CONSULT FACTORY

SINGLE SPADE

CODE - **AE

VOLTS	PART NO.	CODE
10 DC	10257-51	D10AE
12 DC	10252-18	D1AE
20 DC	10258-77	D20AE
24 DC	10257-52	D2AE

TERMINATION:
1/4" MALE QUICK-CONNECT
PER SAE J858A (TYPE 1B)

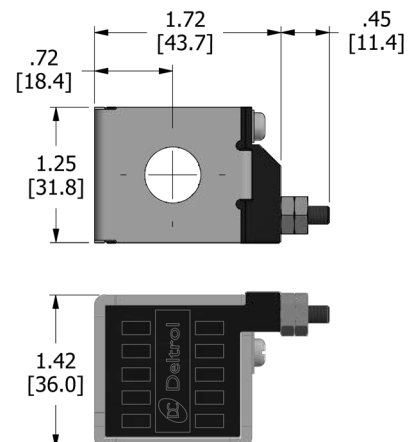


SINGLE STUD

CODE - **EE

VOLTS	PART NO.	CODE
10 DC	10257-53	D10EE
12 DC	10252-19	D1EE
20 DC	10258-78	D20EE
24 DC	10257-54	D2EE

TERMINATION:
8-32 MALE STUD
WITH BRASS NUTS

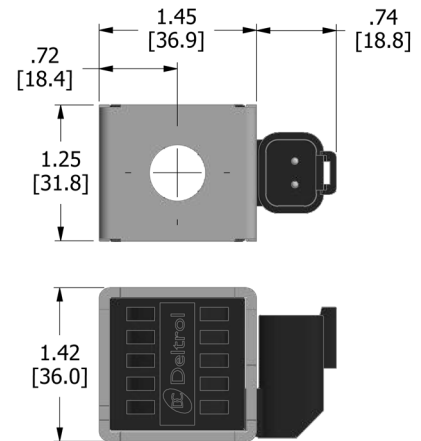


DEUTSCH - IP69K rated

CODE - **UE

VOLTS	PART NO.	CODE
10 DC	10257-55	D10UE
12 DC	10244-24	D1UE
20 DC	10257-56	D20UE
24 DC	10257-57	D2UE

TERMINATION:
INTEGRAL DEUTSCH CONNECTOR
DT04-2P
MATING CONNECTOR
DT06-2S

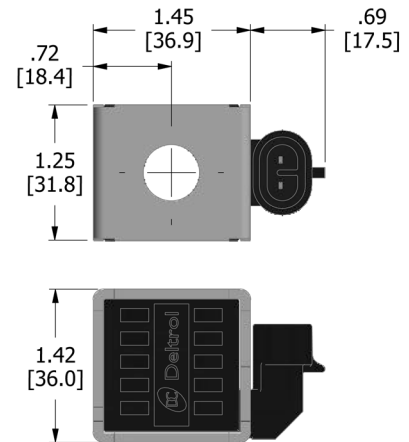


FOR INTERNAL DIODE – CONSULT FACTORY

METRI-PACK - IP69K rated

CODE - **PE

VOLTS	PART NO.	CODE
10 DC	10257-58	D10PE
12 DC	10244-25	D1PE
20 DC	10257-59	D20PE
24 DC	10257-60	D2PE

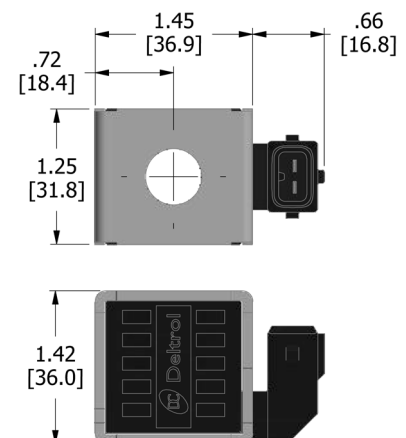


FOR INTERNAL DIODE – CONSULT FACTORY

AMP JUNIOR TIMER - IP69K rated

CODE - **JE

VOLTS	PART NO.	CODE
10 DC	10257-61	D10JE
12 DC	10244-26	D1JE
20 DC	10257-62	D20JE
24 DC	10257-63	D2JE



FOR INTERNAL DIODE – CONSULT FACTORY