

SERIES 10

SPECIFICATIONS

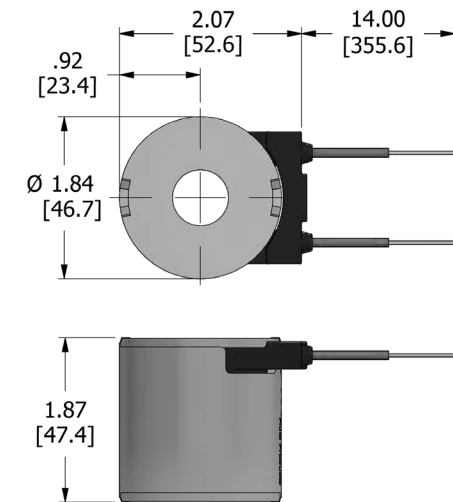
- Wattage:** Nominally 22 watt at 68°F./20°C.
- Duty Rating:** Continuous up to 115% voltage.
- Ambient Operating Temperature:** 212°F/100°C
- Encapsulating Material:** Thermoplastic Polyester (PET) (Rynite FR530).
- Metal Shell:** Zinc Nickel Plating.
- Termination Options:** See below and on the following pages.
- Environmental:** IP69K for Deutsch, Metri-Pack and Amp Junior timer-style coils.

VOLTS	22 WATT	
	OHMS	INITIAL CURRENT DRAW (AMPS)
10 DC	4.6	2.20
12 DC	6.6	1.83
20 DC	18.5	1.10
24 DC	26.2	.92

DUAL LEAD - IP67 rated

CODE - **DE

VOLTS	PART NO.	CODE	LEAD COLOR
10 DC	10306-20	D10DE	GREEN
12 DC	10306-21	D1DE	RED
20 DC	10306-22	D20DE	LT. BLUE
24 DC	10306-23	D2DE	BLUE

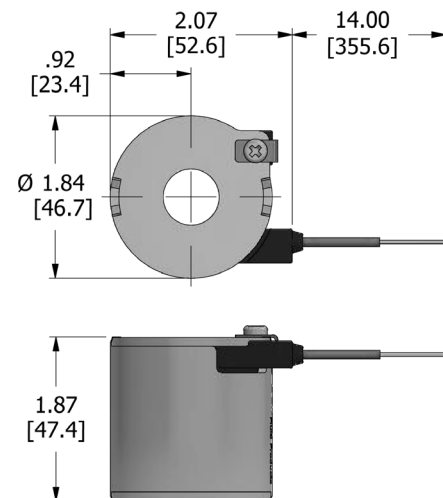


FOR INTERNAL DIODE – CONSULT FACTORY

SINGLE LEAD - IP67 rated

CODE - **SE

VOLTS	PART NO.	CODE	LEAD COLOR
10 DC	10306-41	D10SE	GREEN
12 DC	10306-42	D1SE	RED
20 DC	10306-43	D20SE	LT. BLUE
24 DC	10306-44	D2SE	BLUE



K-Coil, Series 10

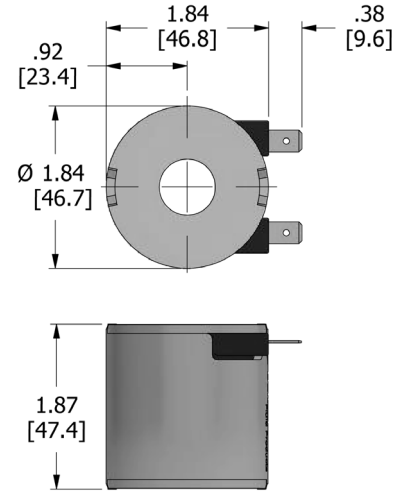
External Frame (continued)

SERIES 10

DUAL SPADE CODE - **BE

VOLTS	PART NO.	CODE
10 DC	10306-48	D10BE
12 DC	10306-49	D1BE
20 DC	10306-50	D20BE
24 DC	10306-51	D2BE

TERMINATION:
1/4" MALE QUICK-CONNECT
PER SAE J858A (TYPE 1B)

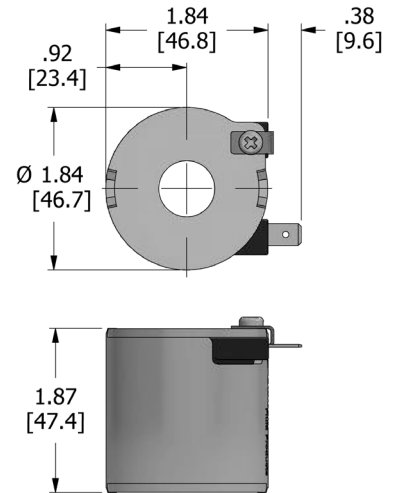


FOR INTERNAL DIODE – CONSULT FACTORY

SINGLE SPADE CODE - **AE

VOLTS	PART NO.	CODE
10 DC	10306-69	D10AE
12 DC	10306-70	D1AE
20 DC	10306-71	D20AE
24 DC	10306-72	D2AE

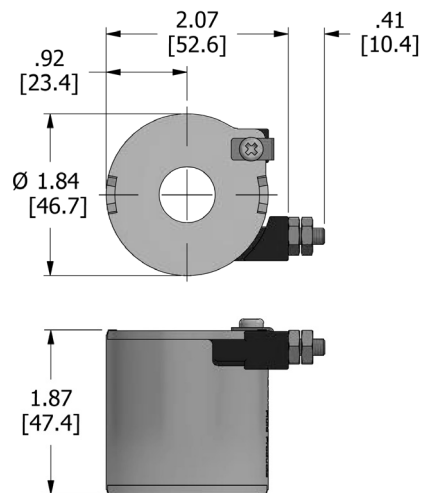
TERMINATION:
1/4" MALE QUICK-CONNECT
PER SAE J858A (TYPE 1B)



SINGLE STUD CODE - **EE

VOLTS	PART NO.	CODE
10 DC	10306-76	D10EE
12 DC	10306-77	D1EE
20 DC	10306-78	D20EE
24 DC	10306-79	D2EE

TERMINATION:
8-32 MALE STUD
WITH BRASS NUTS

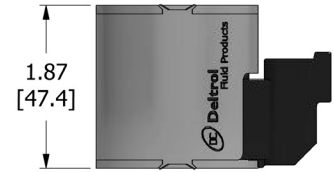
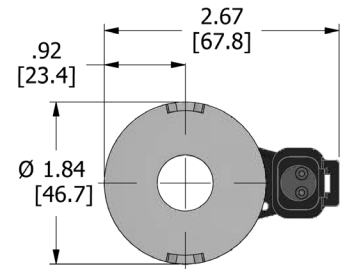


DEUTSCH - IP69K rated

CODE - **UE

VOLTS	PART NO.	CODE
10 DC	10306-83	D10UE
12 DC	10306-84	D1UE
20 DC	10306-85	D20UE
24 DC	10306-86	D2UE

TERMINATION:
INTEGRAL DEUTSCH CONNECTOR
DT04-2P
MATING CONNECTOR
DT06-2S

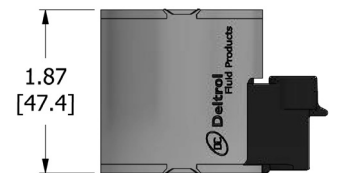
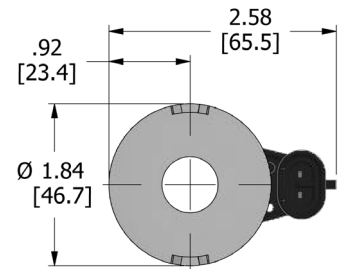


FOR INTERNAL DIODE – CONSULT FACTORY

METRI-PACK - IP69K rated

CODE - **PE

VOLTS	PART NO.	CODE
10 DC	10307-04	D10PE
12 DC	10307-05	D1PE
20 DC	10307-06	D20PE
24 DC	10307-07	D2PE

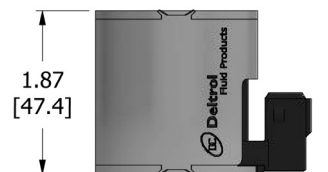
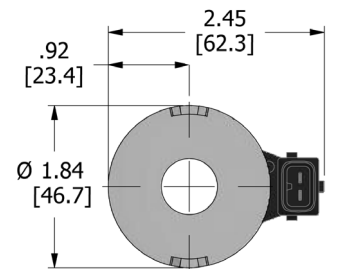


FOR INTERNAL DIODE – CONSULT FACTORY

AMP JUNIOR TIMER - IP69K rated

CODE - **JE

VOLTS	PART NO.	CODE
10 DC	10307-25	D10JE
12 DC	10307-26	D1JE
20 DC	10307-27	D20JE
24 DC	10307-28	D2JE



FOR INTERNAL DIODE – CONSULT FACTORY

K-Coil, Series 10

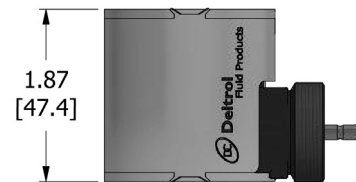
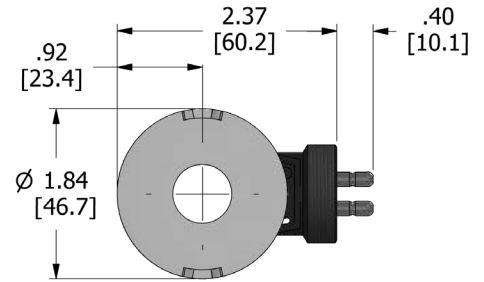
External Frame (continued)

SERIES 10

KOSTAL - IP67 rated

CODE - **KE

VOLTS	PART NO.	CODE
10 DC	10309-09	D10KE
12 DC	10310-10	D1KE
20 DC	10310-12	D20KE
24 DC	10310-13	D2KE



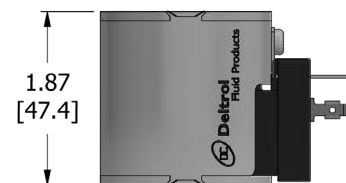
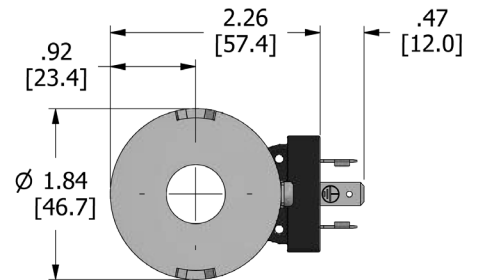
FOR INTERNAL DIODE – CONSULT FACTORY

DIN 43650 (Hirschmann®) - IP67 rated

CODE - **HE

VOLTS	PART NO.	CODE
12 DC	10307-47	D1HE
24 DC	10307-49	D2HE
120 AC	10307-62	A5HE
240 AC	10307-63	A6HE

TERMINATION:
 Hirschmann GSR 200 – DIN 43650
 Form A/ISO 4400, EN175301-803:2000
 2 pole + ground – Mating Connector 43650



FOR INTERNAL DIODE – CONSULT FACTORY

COIL

CHECK

MOTION CONTROL

FLOW CONTROL

RELIEF

PRESSURE CONTROL

SEQUENCE

SHUTTLE

DIRECTIONAL VALVES

HAND PUMPS

TECHNICAL DATA