

Series 8 Internal Frame Coil Data

SERIES 8

SPECIFICATIONS

- Wattage:** Nominally 16 watt at 68°F./20°C.
- Duty Rating:** Continuous up to 115% voltage.
- Ambient Operating Temperature:** 212°F/100°C
- Encapsulating Material:** Thermoplastic Polyester (PET) (Rynite 415 HP).
- A.C. Coils:** Internally rectified with a full wave bridge (no inrush current).
- Termination Options:** See below and on the next page.

VOLTS	16 WATT	
	OHMS	INITIAL CURRENT DRAW (AMPS)
10 DC	6.2	1.60
12 DC	9.0	1.33
20 DC	25.0	.80
24 DC	35.8	.67
120 AC	Δ827	.15
240 AC	Δ3306	.07

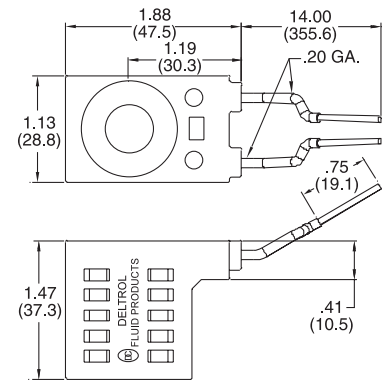
ΔRESISTANCE CANNOT BE MEASURED ON AC COIL ASSEMBLIES

DOUBLE LEADS

CODE - **DS

VOLTS	PART NO.	LEAD COLOR
10 DC	10205-94	GREEN
12 DC	10184-42	RED
24 DC	10184-37	BLUE
120 AC	10184-49	BLACK
240 AC	10184-53	YELLOW

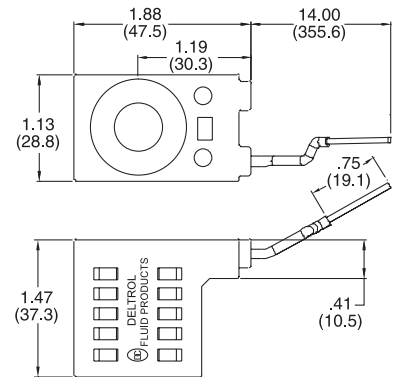
FOR INTERNAL DIODE – CONSULT FACTORY



SINGLE LEAD

CODE - **SS

VOLTS	PART NO.	LEAD COLOR
10 DC	10194-19	GREEN
12 DC	10184-32	RED
24 DC	10190-44	BLUE

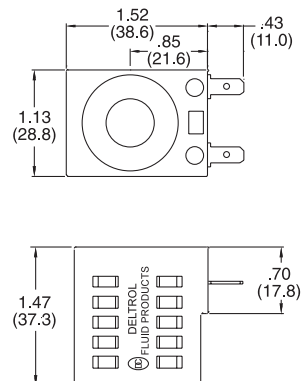


DOUBLE SPADE

CODE - **BS

VOLTS	PART NO.
10 DC	10221-46
12 DC	10216-12
20 DC	10222-51
24 DC	10216-11
120 AC	10222-49
240 AC	10222-50

TERMINATION:
1/4" MALE QUICK-CONNECT
PER SAE J858A (TYPE 1B)

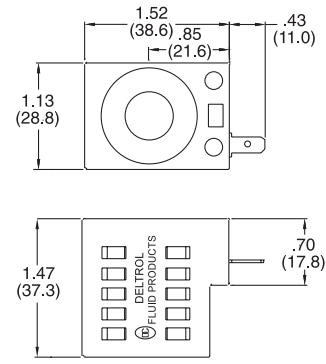


FOR INTERNAL DIODE – CONSULT FACTORY

SINGLE SPADE
CODE - **AS

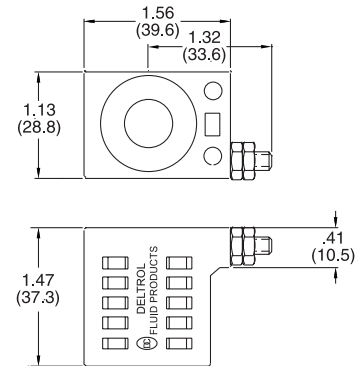
VOLTS	PART NO.
10 DC	10222-46
12 DC	10221-30
24 DC	10221-47

TERMINATION:
1/4" MALE QUICK-CONNECT
PER SAE J858A (TYPE 1B)


SINGLE STUD
CODE - **ES

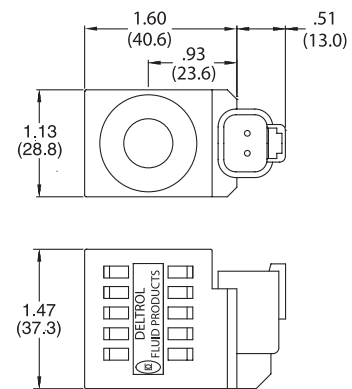
VOLTS	PART NO.
10 DC	10196-60
12 DC	10196-61
24 DC	10196-62

TERMINATION:
8-32 MALE STUD
WITH BRASS NUTS


DEUTSCH
CODE - **US

VOLTS	PART NO.
10 DC	10210-13
12 DC	10222-99
20 DC	10228-95
24 DC	10228-52

TERMINATION:
INTEGRAL DEUTSCH CONNECTOR
DT04-2P
MATING CONNECTOR
DT06-2S



FOR INTERNAL DIODE – CONSULT FACTORY

SOLENOID

CHECK

MOTION CONTROL

FLOW CONTROL

RELIEF

PRESSURE CONTROL

SEQUENCE

SHUTTLE

DIRECTIONAL VALVES

ACCESSORIES

TECHNICAL DATA