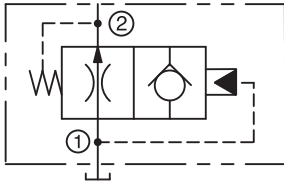


AB20S Air Bleed Valve
Female-to-Female

IN-LINE



DESCRIPTION

The Pneu-Trol air bleed valve is used to remove trapped air from a hydraulic system, allowing system pump to prime itself. The valve will pass air or a small amount of oil with pump pressure below 50 psi (3.4 bar). Trapped air in the system is bled off back to the reservoir until a solid stream of hydraulic fluid at +50 psi (3.4 bar) closes the valve. This is automatic during every system start-up. The valve should be installed at the high point of the hydraulic system using a tee connection.

- For hydraulic applications only
- Removes air trapped in hydraulic system

SPECIFICATIONS

Maximum Operating Pressure (Non-Shock Service)

Carbon Steel: 5,000 psi (345 bar)

Minimum Seating Pressure

50 psi (3.4 bar)

Operating Temperature Range (O-Ring)

Buna N: -30° to +400° F (-34° to +204° C)

Threads

NPTF 1/4"

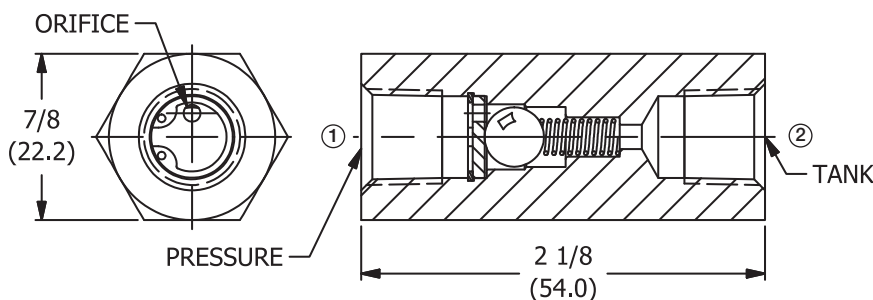
Orifice Diameter

.089 (2.3)

Materials

- Body: Steel
- Spring: Stainless Steel 302
- Ball: Stainless Steel 440
- Washer: Steel
- Retainer Ring: Steel

INSTALLATION DIMENSIONS



() Parentheses = Millimeters

HOW TO ORDER

Size	NPTF Thread
	Steel
1/4"	AB20S