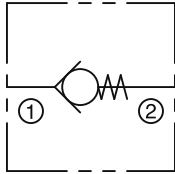


IN-LINE



DESCRIPTION

Check valves operate on slight differential pressure. Free flow is permitted in the direction of the arrow, positive check in the opposite direction.

- Eliminates need for extra pipe nipple
- Bubble-Tight Poppet Check with O-ring

SPECIFICATIONS

Maximum Operating Pressure

Brass: 60 psi (4 bar)

Cracking Pressure

1 to 2.5 psi (.07 to .17 bar)

Soft seat check valves if left seated for a period of time, will have the rubber adhere to the metal it is in contact with. This results in an initial high crack point due to sticking. The degree depends on many things (time seated, pressure, etc.).

Flow Rating

Maximum recommended flow 2.5 gpm (9.5 lpm)

Co-Efficient (Cv Factor) = .43

Operating Temperature Range

-15° to +400° F (-26° to +204° C)

Threads

NPTF 1/4"

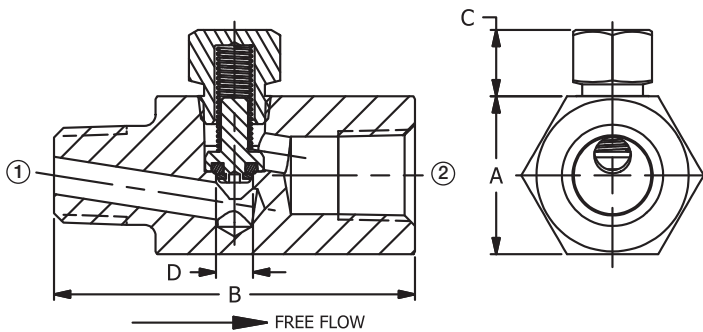
Materials

Body, Plug: Brass

Poppet: Brass with Viton O-ring

Spring: Stainless Steel 302

INSTALLATION DIMENSIONS



Pipe Size	A HEX	B	C	D orifice
1/4"	7/8 (22.2)	2 (50.8)	23/64 (9.1)	.203 (5.2)

() Parentheses = Millimeters

HOW TO ORDER



Code	Check Valve
CP	Poppet Check

Code	Material
B	Brass

Code	Thread
MF	NPTF (Male-to-Female)

Code	Size
20	1/4"