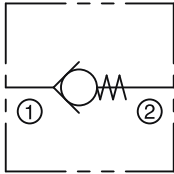


EC, EDC Check Valve
Female-to-Female

IN-LINE



DESCRIPTION

Check valves operate on slight differential pressure. Free flow is permitted in the direction of the arrow, positive check in the opposite direction.

These tough valves are ideal for general industrial and mobile applications including plastic injection molding machines, packaging equipment, machine tools, car washes, hospital beds, and many types of automotive equipment.

- **Elastomer-free (no O-rings)**
- **Leak-Tight Ball Check for various medias (except 1")**
- **Leak-Tight Poppet Check (1")**

FLOW RATING

Size	Max Recommended Flow gpm (lpm)	Co-Efficient (Cv Factor)
1/8"	3.0 (11.4)	.75
1/4"	6.0 (22.7)	1.47
3/8"	10.0 (37.9)	3.30
1/2"	12.0 (45.4)	3.60
3/4"	20.0 (75.7)	5.41
1"	55.0 (208.2)	9.60

SPECIFICATIONS

Maximum Operating Pressure (Non-Shock Service)

- Brass: 2,000 psi (138 bar)
- Carbon Steel: 5,000 psi (345 bar)
- Stainless Steel: 5,000 psi (345 bar)
- Ductile Iron: 5,000 psi (345 bar)

Cracking Pressure (Except 1")

1 to 2.5 psi (.07 to .17 bar)

Cracking Pressure (1")

3 to 5 psi (.21 to .34 bar)

Operating Temperature Range

- 1/8" - 3/4" -30° to +200° F (-34° to +93° C)
- 1" -15° to +400° F (-26° to +204° C)

Threads

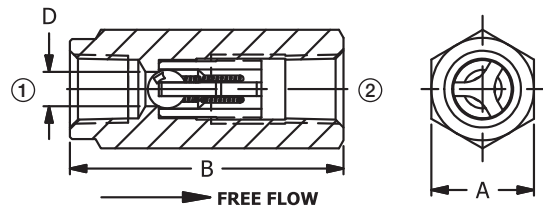
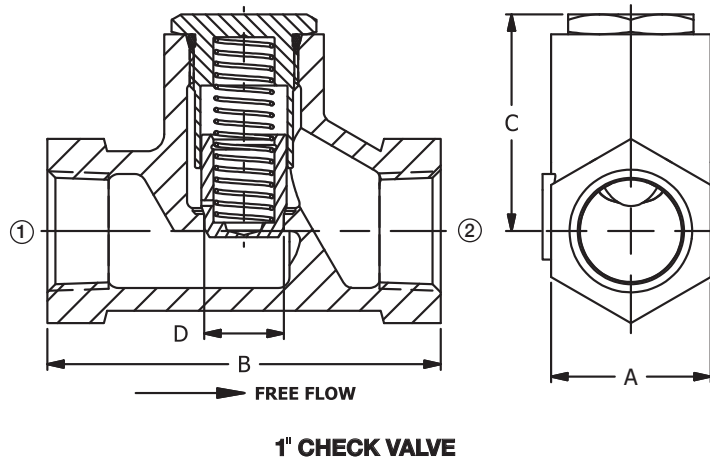
NPTF, BSPT, BSPP

Materials (Except 1")

- Body: Brass, Steel, Stainless Steel 303
- Ball: Stainless Steel 440
- Spring: Stainless Steel 302
- Ball Guide: Delrin®

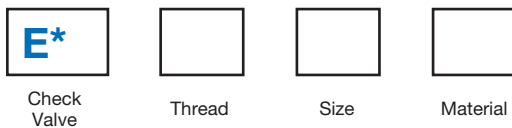
Materials (1")

- Body: Leaded Tin Bronze, Ductile Iron
- Plug: Brass
- O-Ring: Viton
- Spring: Stainless Steel 302
- Poppet: Stainless Steel 303

INSTALLATION DIMENSIONS


Pipe Size	A HEX	B	C	D orifice
1/8"	5/8 (15.9)	1-11/16 (42.9)	-	.188 (4.8)
1/4"	3/4 (19.1)	2 (50.8)	-	.250 (6.4)
3/8"	1 (25.4)	2-1/2 (63.5)	-	.328 (8.3)
1/2"	1-1/8 (28.6)	2-7/8 (73.1)	-	.359 (9.1)
3/4"	1-3/8 (35.0)	3-1/4 (82.6)	-	.526 (13.4)
1"	1-3/4 (44.5)	4-1/2 (114.3)	2-13/32 (61.2)	.875 (22.2)

() Parentheses = Millimeters

HOW TO ORDER


Code	Check Valve
EC	Check Valve
EDC	

Code	Material
B	Brass (1" - Leaded Tin Bronze)
S	Carbon Steel (1" - Ductile Iron)
SS	Stainless Steel

Code	Thread
Omit	NPTF
B	BSPT
BP	BSPP

Code	Size
10	1/8"
20	1/4"
25	3/8"
30	1/2"
35	3/4"
40	1"

AVAILABLE MODEL CODES

Size	NPTF Thread			ISO 7/1 - RS BSP Taper	ISO 7/1 - RP BSP Parallel
	Brass	Steel	Stainless Steel	Steel	Steel
1/8"	EC10B	-	-	ECB10S	-
1/4"	EC20B	EC20S	EC20SS	ECB20S	ECBP20S
3/8"	EDC25B	EDC25S	EDC25SS	ECB25S	ECBP25S
1/2"	EDC30B	EDC30S	EDC30SS	ECB30S	ECBP30S
3/4"	EDC35B	EDC35S	EDC35SS	ECB35S	ECBP35S
1"	EC40B	EC40S	-	-	-