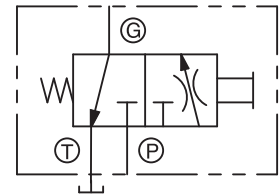


DESCRIPTION

The Pneu-Trol gauge isolator valve is designed to prevent surge damage to a gauge in all types of hydraulic circuits. The gauge isolator valve also acts as a snubber to prevent damage to other hydraulic components – hydraulic chatter, pulsation and fluid hammer can cause costly down time of equipment.

Simple to operate – just push to read. Depressing the knob allows fluid to flow around the spool to the gauge. When the spring-loaded knob is released the spool is automatically returned to the closed position, allowing the fluid to drain from the gauge out the tank port.

- For hydraulic applications only
- Push to operate – spring return
- Legible instructions knob – “Push To Read”
- Panel or bracket mountable



SPECIFICATIONS

Maximum Operating Pressure (Non-Shock Service)

Carbon Steel: 3,000 psi (207 bar)

Operating Temperature Range

-30° to +250° F (-54° to +120° C)

Internal Leakage Pressure Port To Tank Port

20 cc/min. max at 2,500 psi (172 bar)

Threads

NPTF 1/4"

Stroke

1/4" (6.4)

Gauge Port Orifice

.020" (.51 mm) and .062" (1.57 mm)

Panel Mounting Hole Size

31/32" (24.6)

Materials

Body, Plugs, Retainers: Steel

Spool: Hardened Steel

Spring: Music Wire

O-Rings: Buna-N

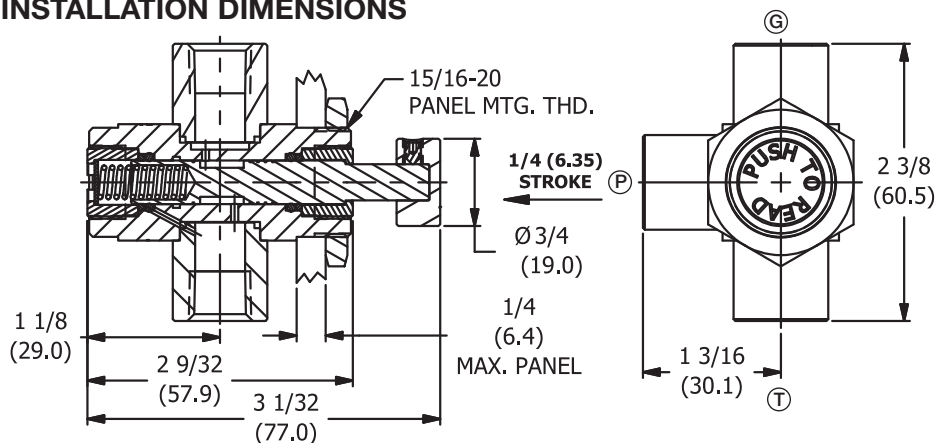
Back-Up Washers: Teflon

Set Screw: Steel

Knob: Blue Anodized Aluminum

Panel Mount Nut: Nickel Plated Brass

INSTALLATION DIMENSIONS



() Parentheses = Millimeters

HOW TO ORDER

Size	NPTF Thread	Orifice
	Steel	
1/4"	GI21S	.020"
	GI21S-C5	.062"