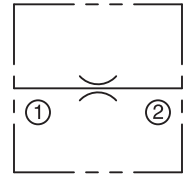


## DESCRIPTION

The Gauge Snubber is a fixed pressure valve which protects your gauges and other delicate instruments from hydraulic shock, pressure surges and pulsation. Its restrictive orifice provides rapid and smooth response to pressures up to 5,000 psi (345 bar).

- Protects gauges and other delicate instruments from shock pressure surges and pulsations



## SPECIFICATIONS

### Maximum Operating Pressure (Non-Shock Service)

Brass: 2,000 psi (138 bar)

Carbon Steel: 5,000 psi (345 bar)

### Operating Temperature Range

-30° to +400° F (-34° to +204° C)

### Threads

NPTF 1/4"

### Orifice Diameter

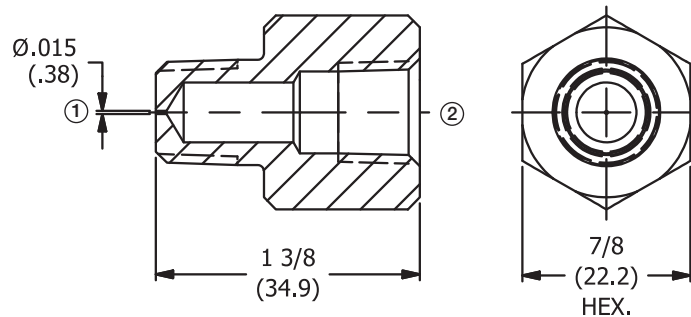
.015 (.38)

### Material

Brass, Steel



## INSTALLATION DIMENSIONS



( ) Parentheses = Millimeters

## HOW TO ORDER

Size	NPTF Thread	
	Brass	Steel
1/4"	GS20B	GS20S